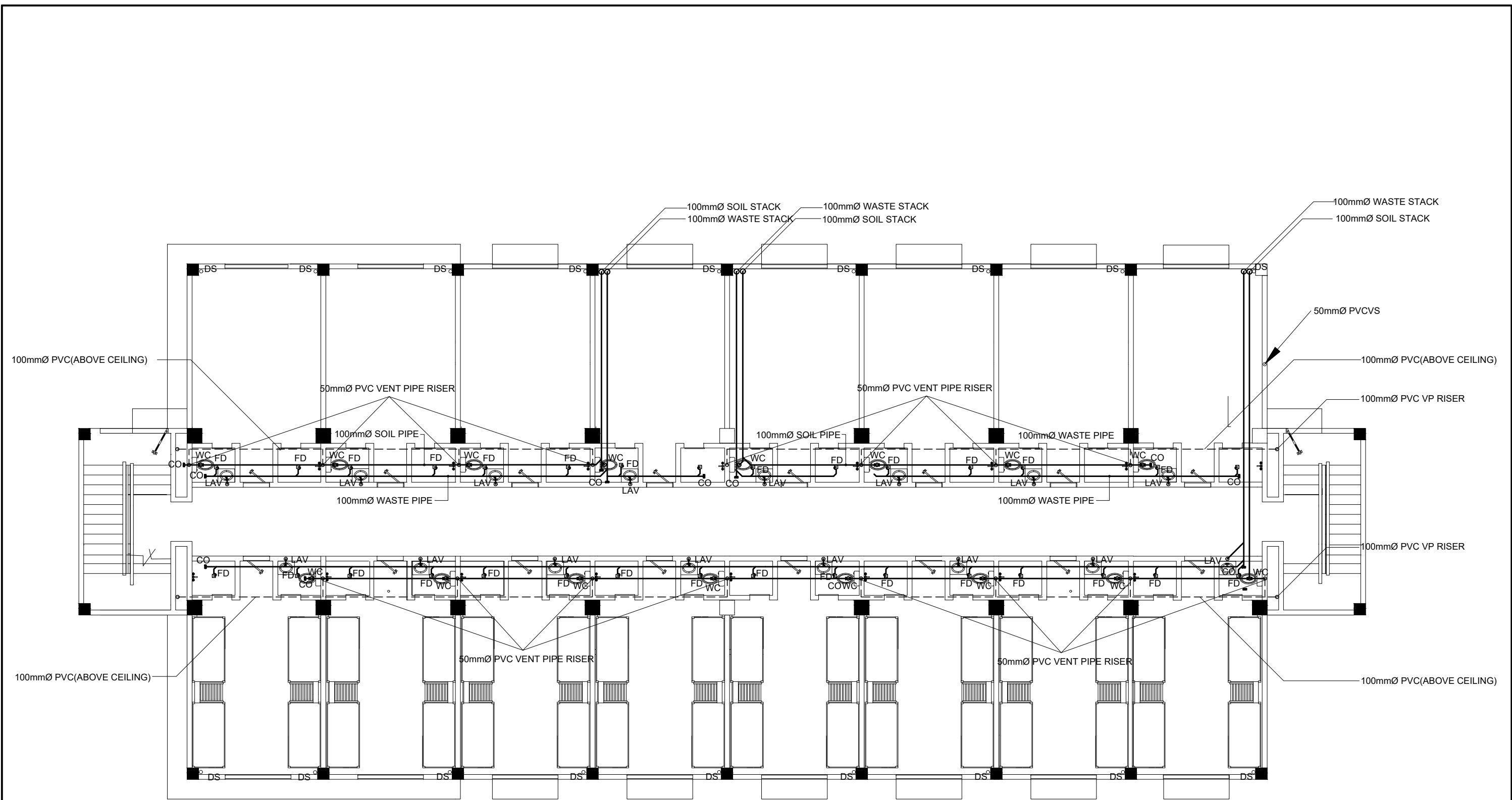


1
PL-5
THIRD FLOOR WATER LINE LAYOUT
 SCALE 1:100 M.



2
PL-5
EXISTING THIRD FLOOR SANITARY PLAN LAYOUT
 SCALE 1:100 M.

PLUMBING NOTES

- ALL PLUMBING WORKS SHALL BE EXECUTED IN ACCORDANCE WITH THE LATEST PROVISION OF THE PHILIPPINE PLUMBING CODE, THE UNIFORM PLUMBING CODE, THE NATIONAL BUILDING CODE, AND THE RULES AND REGULATIONS OF THE MUNICIPALITY.
- PROPOSED SANITARY UTILITIES SHALL CONFORM TO THE ACTUAL LOCATIONS, DEPTHS AND INVERT ELEVATIONS OF ALL EXISTING PIPES AND STRUCTURES.
- MINIMUM PIPE SLOPES:
 - SANITARY LINES SHALL MAINTAIN A ONE PERCENT (0.01) SLOPE
 - STORM DRAINAGE LINES SHALL MAINTAIN A ONE-HALF PERCENT (0.005) SLOPE
- MATERIALS:
 - COLD WATER SUPPLY - MOLDEX BLUE uPVC PIPES & FITTING
 - SANITARY & STORM DRAINAGE - SANIMOLD EXTRA uPVC PIPES AND FITTINGS
 - ALL WATER AND DRAINAGE PIPE SIZES SHALL CONFORM WITH THE RECOMMENDATIONS OF THE MANUFACTURER OF THE PLUMBING FIXTURES
- ALL GALVANIZED - IRON (G.I) PIPES DIRECTLY BURIED UNDERGROUND SHALL HAVE TWO COATS OF RED - OXIDE PAINT, OR OTHERWISE PROVIDED WITH TWO COATS OF MELTED ASPHALT AND THEN WRAPPED WITH JUTE CLOTH SOAJED IN MELTED ASPHALT.
- SANITARY AND WATER LINES SHALL BE TESTED TO CONFORM WITH THE LATEST REQUIREMENTS OF THE PHILIPPINE PLUMBING CODE, AND THE UNIFORM PLUMBING CODE.

GENERAL NOTES

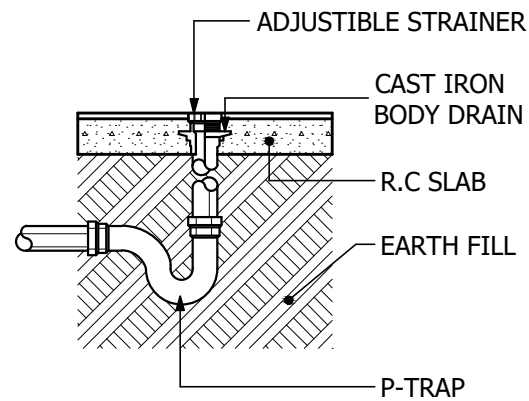
- SEPTIC TANKS SHOULD BE LOCATED NOT LESS THAN 15 METERS AWAY FROM POTABLE WATER TO PREVENT CONTAMINATION.
- WHERE THERE IS PUBLIC SEWER PIPE, SEPTIC TANKS ARE NOT ALLOWED.
- NO SEPTIC TANKS SHOULD BE INSTALLED WITHIN OR UNDER A HOUSE.
- THE INLETS AND OUTLETS ARE SUBMERGED AND ARRANGES SO AS NOT TO DISTURB THE SLUDGE OR SCUM.
- THE BOTTOM OF THE TANK SHOULD SLOPE (1:10) MINIMUM TOWARDS THE MANHOLE IN THE CENTER TO FACILITATE CLEANING.
- THE TOP COVER AND THE MANHOLE ARE USUALLY EXTENDED 15cm ABOVE THE SURFACE OF THE SOIL TO OVERCOME SURFACE INFILTRATION.

PIPE SIZE

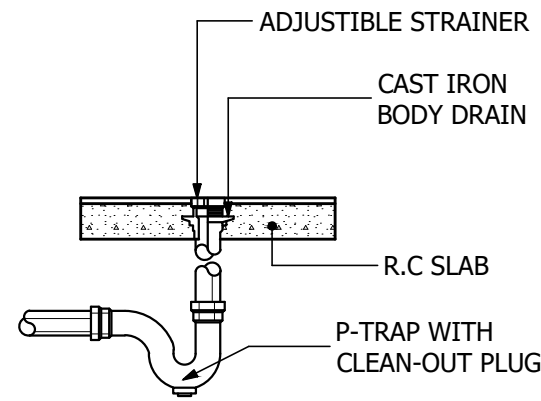
- COLD WATER PIPE - 20mmØ TO 32mmØ
- STORM DRAINAGE PIPE - 50mmØ TO 150mmØ
- SEWER PIPE - 50mmØ TO 150mmØ
- VENTILATION PIPE - 50mmØ TO 150mmØ

PLUMBING LEGEND:

WC	WATER CLOSET	GIP	GALVANIZED IRON PIPE
LAV	LAVATORY	UP	UNION PATENTE
F	FAUCET	GV	GATE VALVE
FD	FLOOR DRAIN	CV	CHECK VALVE
CO	CLEAN OUT	WM	WATER METER
PVC	POLYVINYLCHLORIDE	HB	HOSE BEEB
DP	DRAINAGE PIPE	CB	CATCH BASIN
SP	SOIL PIPE	SV	SEPTIC VAULT
SS	SOIL STACK	MH	MANHOLE
VP	VENT PIPE	DS	DOWNSPOUT
VS	VENT STACK	VSTR	VENTSTACK THRU ROOF



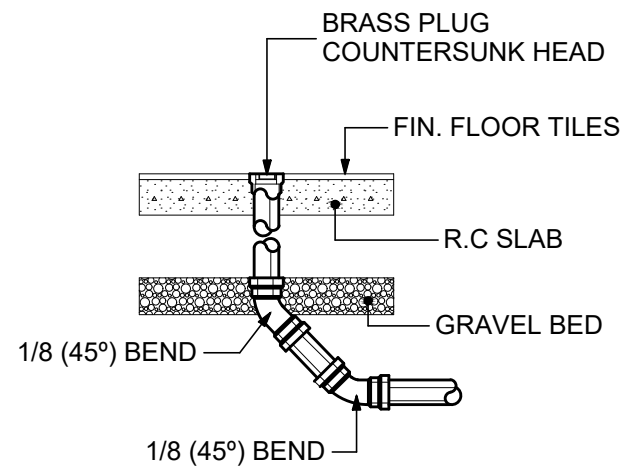
GROUND FLOOR



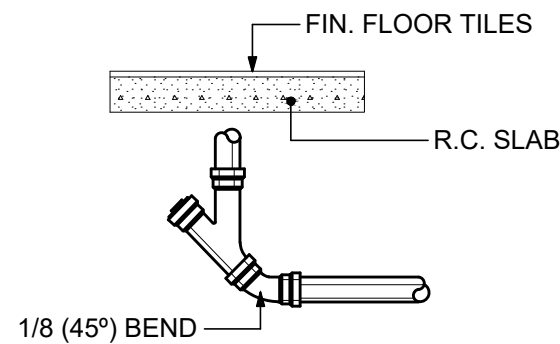
UPPER FLOOR

DETAIL OF FLOOR DRAIN

NOT TO SCALE



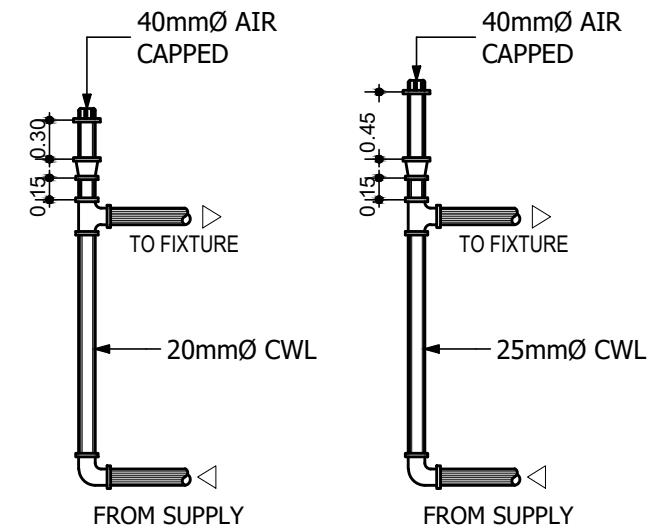
GROUND FLOOR



UPPER FLOOR

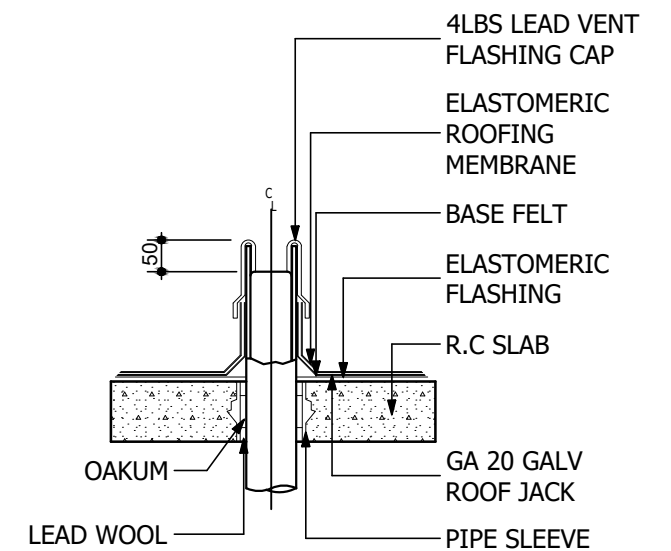
DETAIL OF CLEAN OUT

NOT TO SCALE



DETAIL OF AIR CHAMBER

NOT TO SCALE



DETAIL OF VSTR

NOT TO SCALE