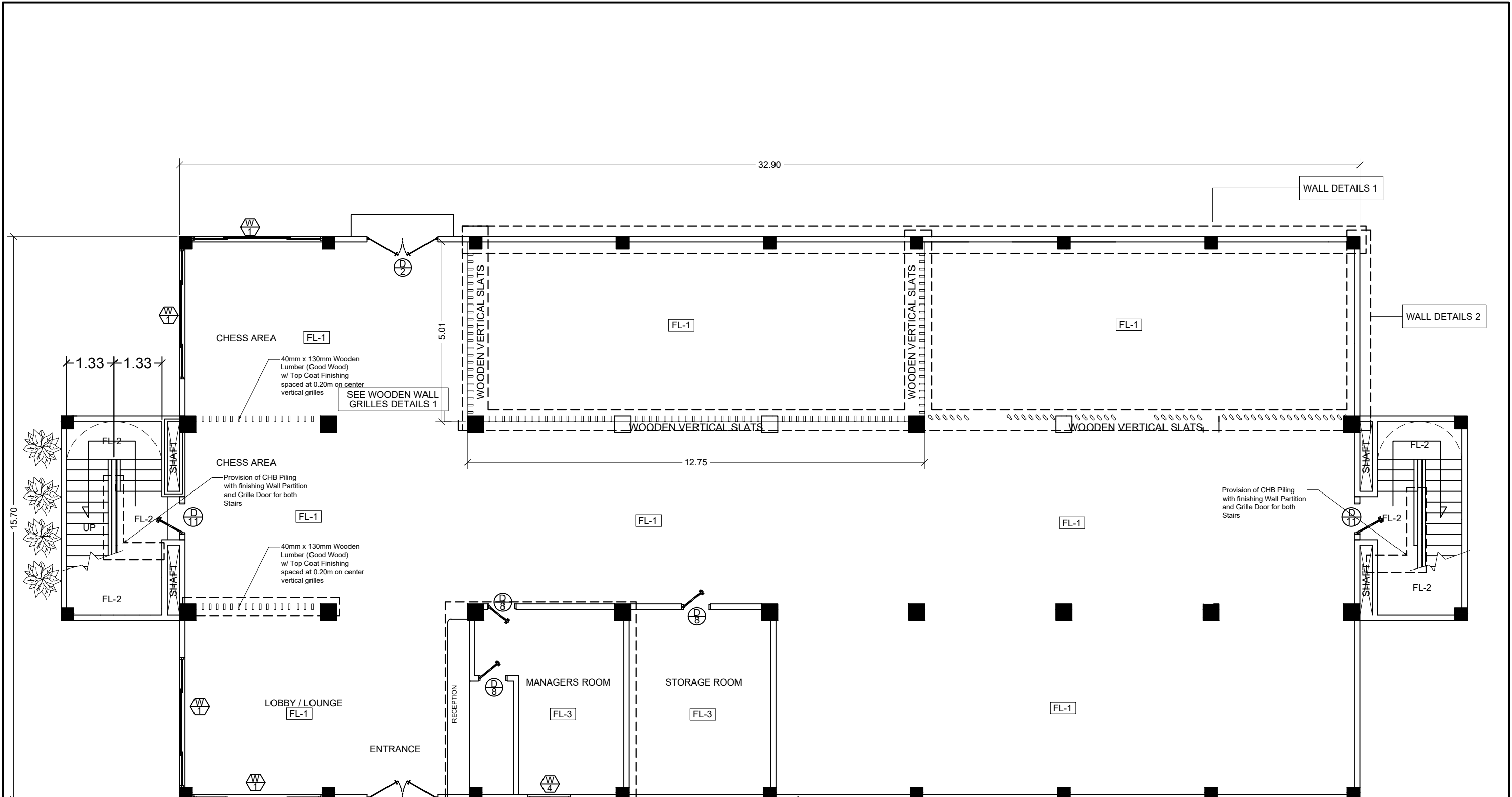


THIS AREA TO LANDSCAPE

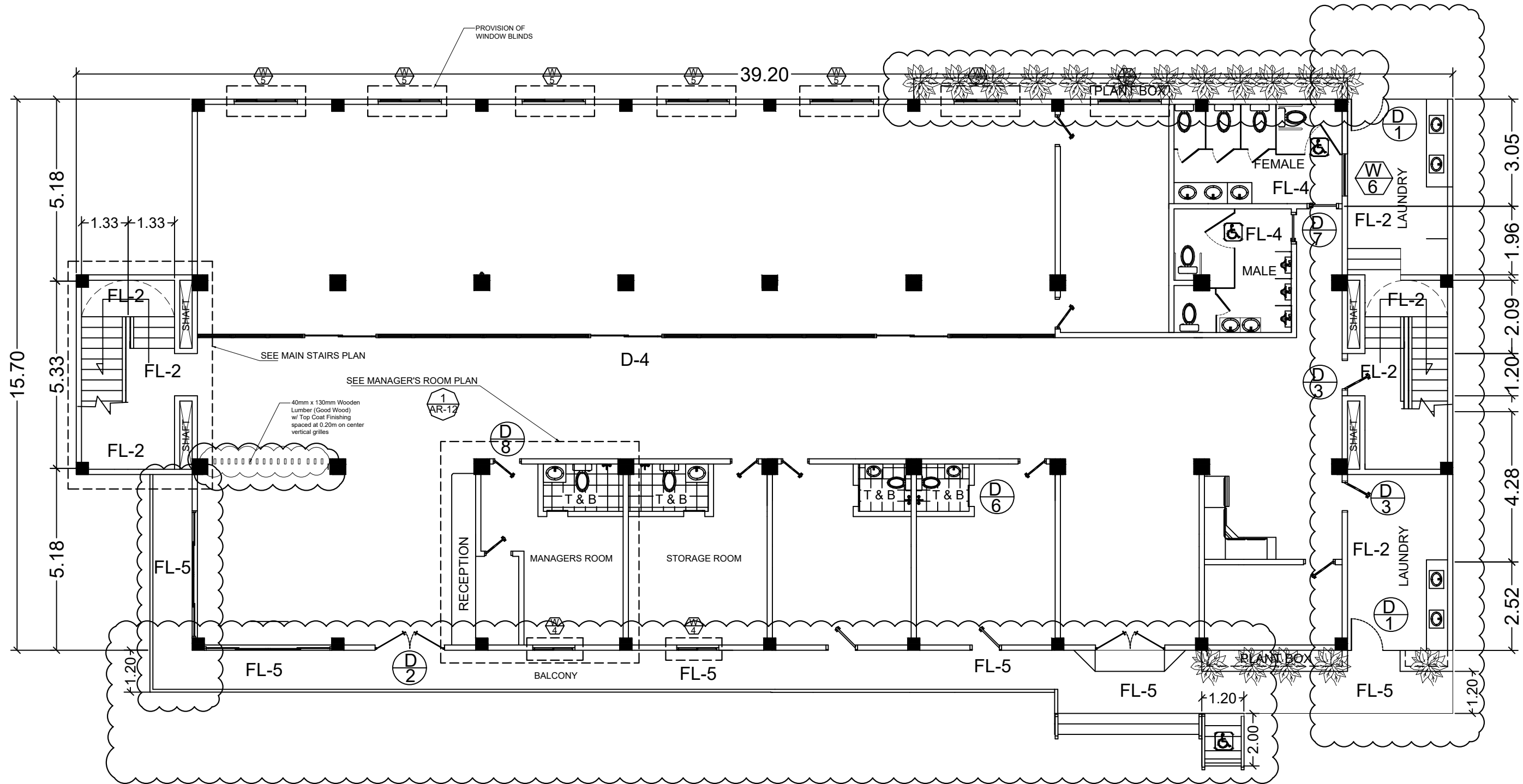
SCHEDULE OF FLOOR & FINISHES		
MARK	DESCRIPTION	REMARKS
FL-1	600mm X 600mm PORCELAIN FLOOR TILES WOOD DESIGN	DESIGN IS UPON APPROVAL
FL-2	PLAIN CEMENT FLOOR SMOOTH FINISHED (WITH POLYURETHANE APPLICATION FINISHED)	SAME AS THE ACTUAL PRESENT DESIGN
FL-3	600mm X 600mm PORCELAIN FLOOR TILES FINISH	SAME AS THE ACTUAL PRESENT DESIGN
FL-4	300mm X 300 mm NON-SKID PORCELAIN FLOOR TILES FINISH	SAME AS THE ACTUAL PRESENT DESIGN
FL-5	600mm X 600mm NON-SKID PORCELAIN FLOOR TILES FINISH	DESIGN IS UPON APPROVAL
FL-6	600mm X 600mm PORCELAIN FLOOR TILES FINISH	DESIGN IS UPON APPROVAL
FL-7	600mm X 600mm NON-SLIP OUTDOOR TILES	DESIGN IS UPON APPROVAL

1
**SITE DEVELOPMENT PLAN**  
 SCALE 1:100 M.



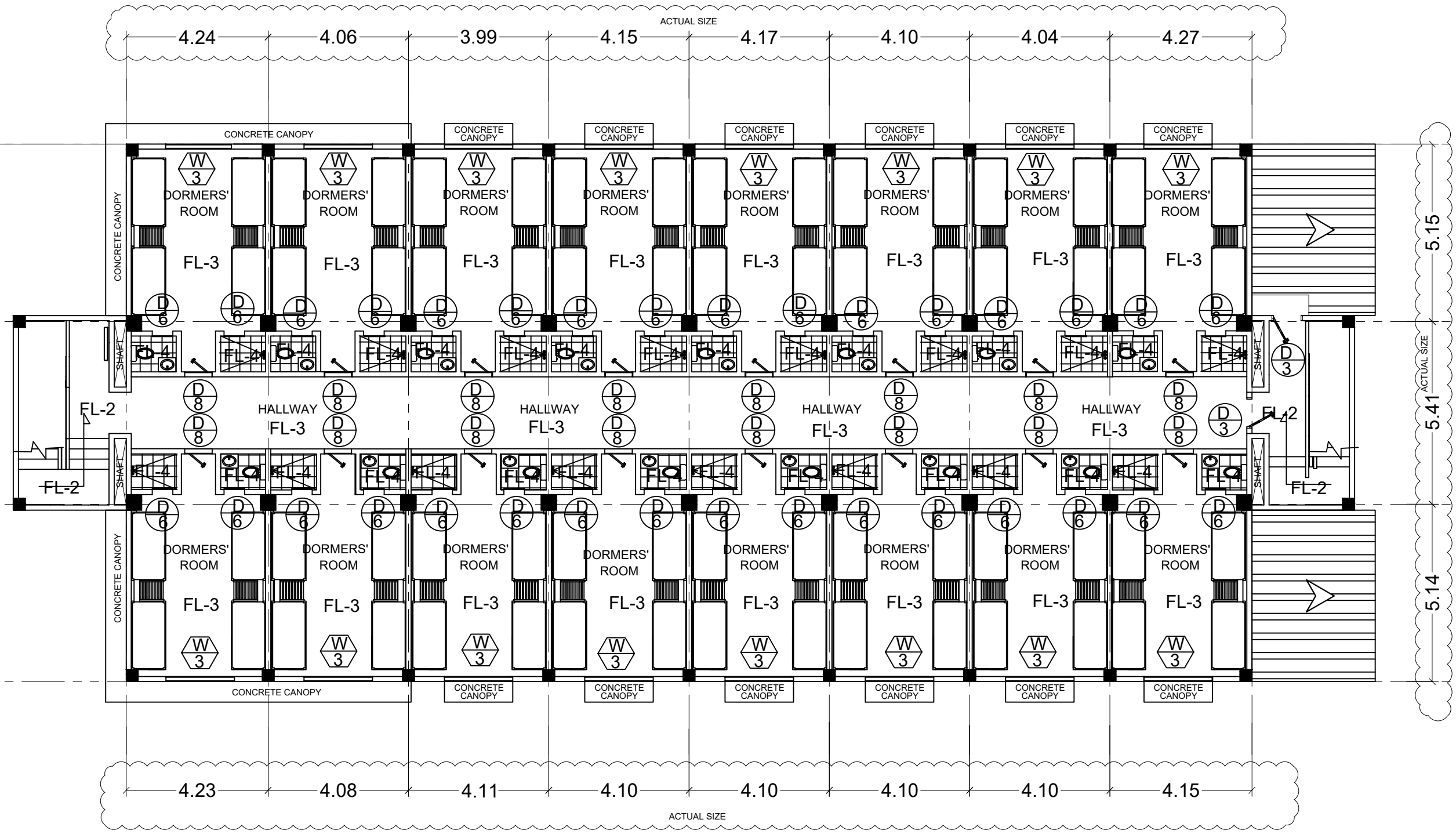
1
**LOWER GROUND FLOOR PLAN**  
 SCALE 1:100 M.

SCHEDULE OF FLOOR & FINISHES		
MARK	DESCRIPTION	REMARKS
FL-1	600mm X 600mm PORCELAIN FLOOR TILES WOOD DESIGN	DESIGN IS UPON APPROVAL
FL-2	PLAIN CEMENT FLOOR SMOOTH FINISHED (WITH POLYURETHANE APPLICATION FINISHED)	SAME AS THE ACTUAL PRESENT DESIGN
FL-3	600mm X 600mm PORCELAIN FLOOR TILES FINISH	SAME AS THE ACTUAL PRESENT DESIGN
FL-4	300mm X 300 mm NON-SKID PORCELAIN FLOOR TILES FINISH	SAME AS THE ACTUAL PRESENT DESIGN
FL-5	600mm X 600mm NON-SKID PORCELAIN FLOOR TILES FINISH	DESIGN IS UPON APPROVAL
FL-6	600mm X 600mm PORCELAIN FLOOR TILES FINISH	DESIGN IS UPON APPROVAL
FL-7	600mm X 600mm NON-SLIP OUTDOOR TILES	DESIGN IS UPON APPROVAL



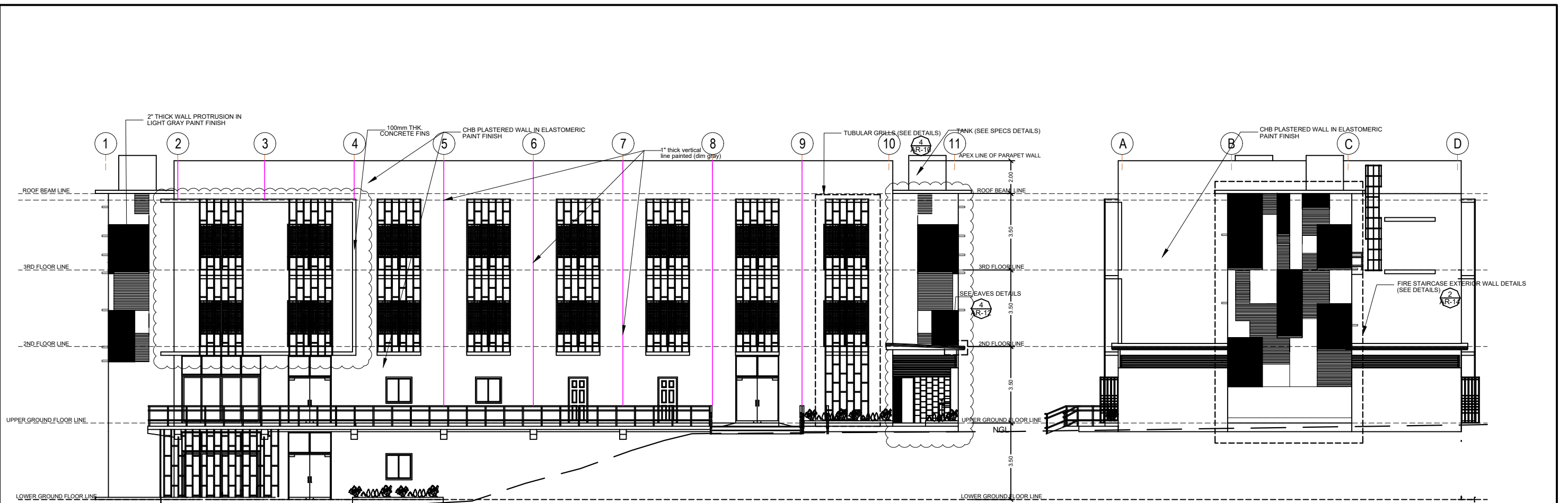
1
**UPPER GROUND FLOOR**  
 SCALE 1:100 M.

SCHEDULE OF FLOOR & FINISHES		
MARK	DESCRIPTION	REMARKS
FL-1	600mm X 600mm PORCELAIN FLOOR TILES WOOD DESIGN	DESIGN IS UPON APPROVAL
FL-2	PLAIN CEMENT FLOOR SMOOTH FINISHED (WITH POLYURETHANE APPLICATION FINISHED)	SAME AS THE ACTUAL PRESENT DESIGN
FL-3	600mm X 600mm PORCELAIN FLOOR TILES FINISH	SAME AS THE ACTUAL PRESENT DESIGN
FL-4	300mm X 300 mm NON-SKID PORCELAIN FLOOR TILES FINISH	SAME AS THE ACTUAL PRESENT DESIGN
FL-5	600mm X 600mm NON-SKID PORCELAIN FLOOR TILES FINISH	DESIGN IS UPON APPROVAL
FL-6	600mm X 600mm PORCELAIN FLOOR TILES FINISH	DESIGN IS UPON APPROVAL
FL-7	600mm X 600mm NON-SLIP OUTDOOR TILES	DESIGN IS UPON APPROVAL



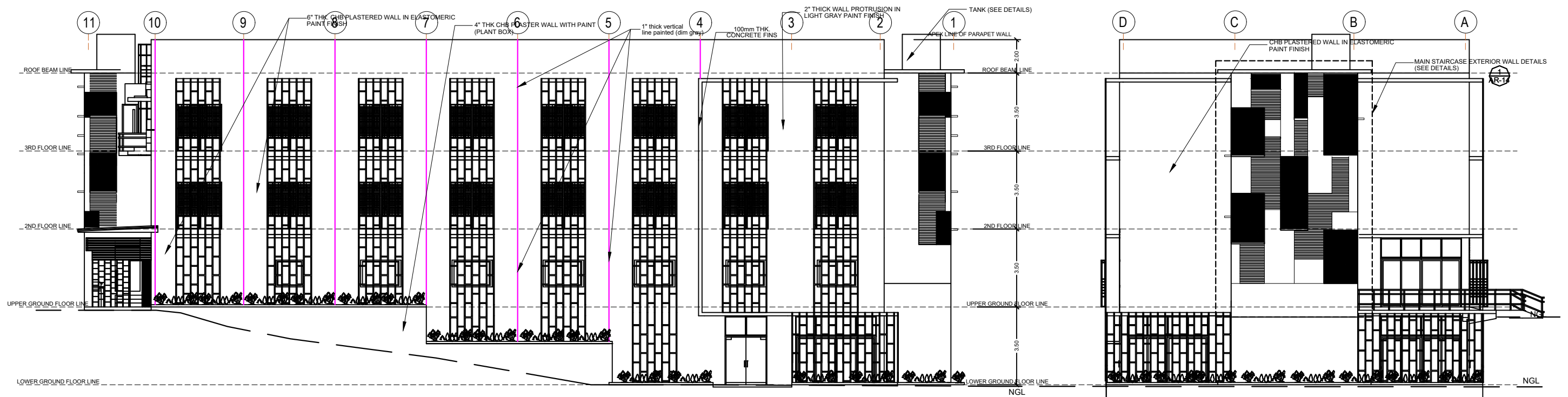
1
**THIRD FLOOR PLAN**  
 SCALE 1:100 M.

SCHEDULE OF FLOOR & FINISHES		
MARK	DESCRIPTION	REMARKS
FL-1	600mm X 600mm PORCELAIN FLOOR TILES WOOD DESIGN	DESIGN IS UPON APPROVAL
FL-2	PLAIN CEMENT FLOOR SMOOTH FINISHED (WITH POLYURETHANE APPLICATION FINISHED)	SAME AS THE ACTUAL PRESENT DESIGN
FL-3	600mm X 600mm PORCELAIN FLOOR TILES FINISH	SAME AS THE ACTUAL PRESENT DESIGN
FL-4	300mm X 300 mm NON-SKID PORCELAIN FLOOR TILES FINISH	SAME AS THE ACTUAL PRESENT DESIGN
FL-5	600mm X 600mm NON-SKID PORCELAIN FLOOR TILES FINISH	DESIGN IS UPON APPROVAL
FL-6	600mm X 600mm PORCELAIN FLOOR TILES FINISH	DESIGN IS UPON APPROVAL
FL-7	600mm X 600mm NON-SLIP OUTDOOR TILES	DESIGN IS UPON APPROVAL



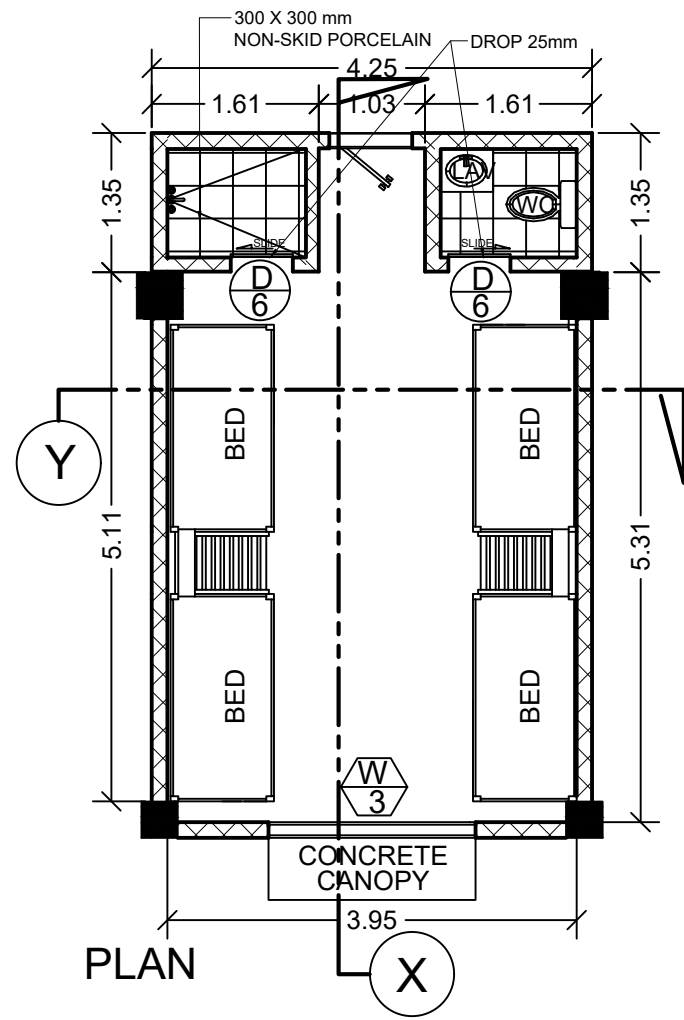
**1 FRONT ELEVATION**  
 SCALE 1:100 M.  
 AR-7

**2 RIGHT SIDE ELEVATION**  
 SCALE 1:100 M.  
 AR-7

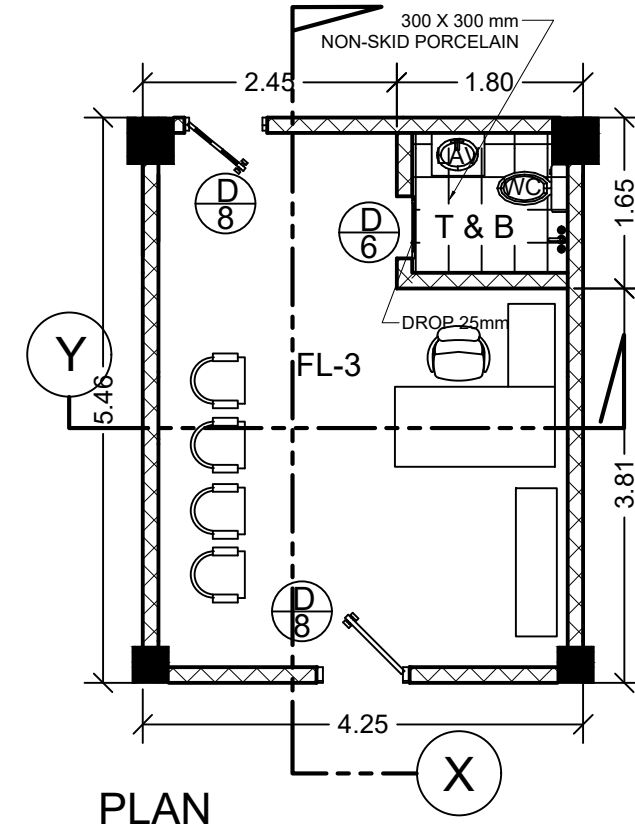


**3 REAR ELEVATION**  
 SCALE 1:100 M.  
 AR-7

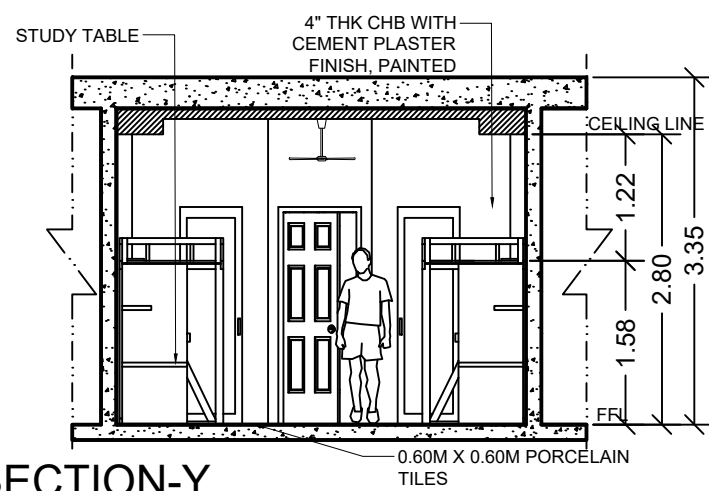
**4 LEFT SIDE ELEVATION**  
 SCALE 1:100 M.  
 AR-7



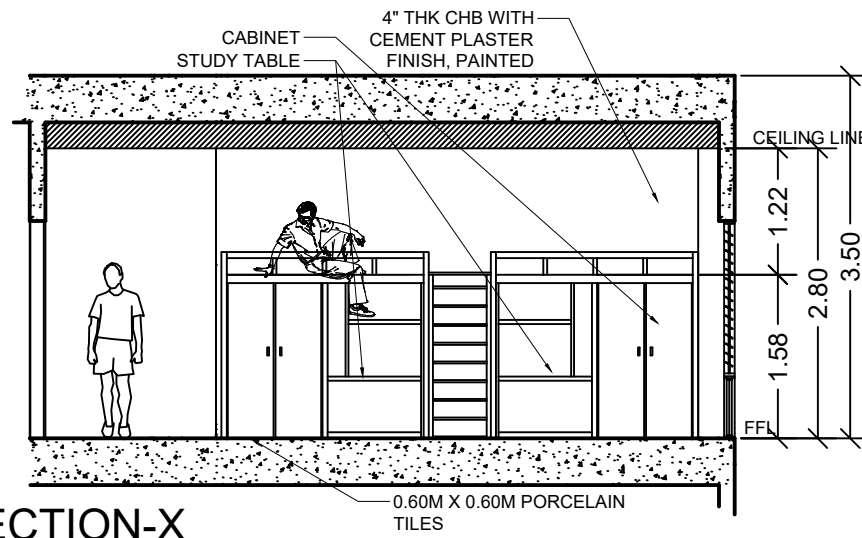
PLAN



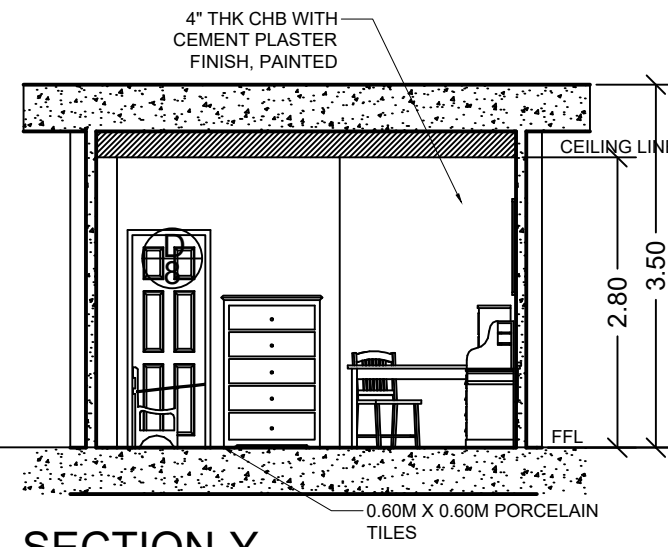
PLAN



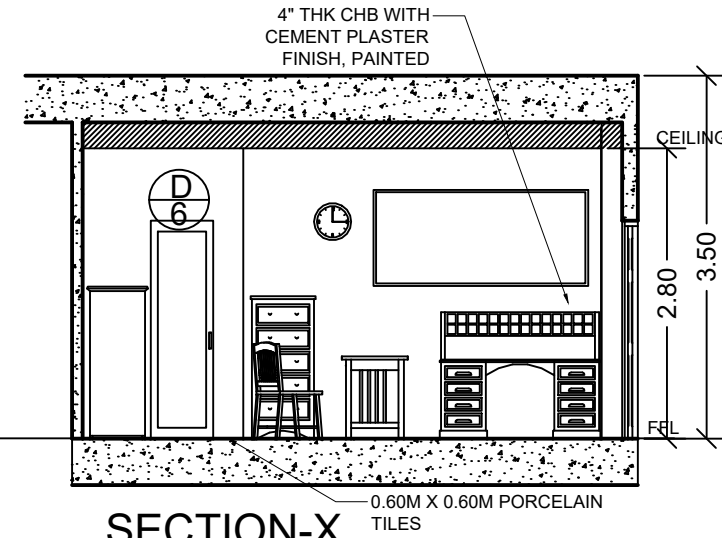
SECTION-Y



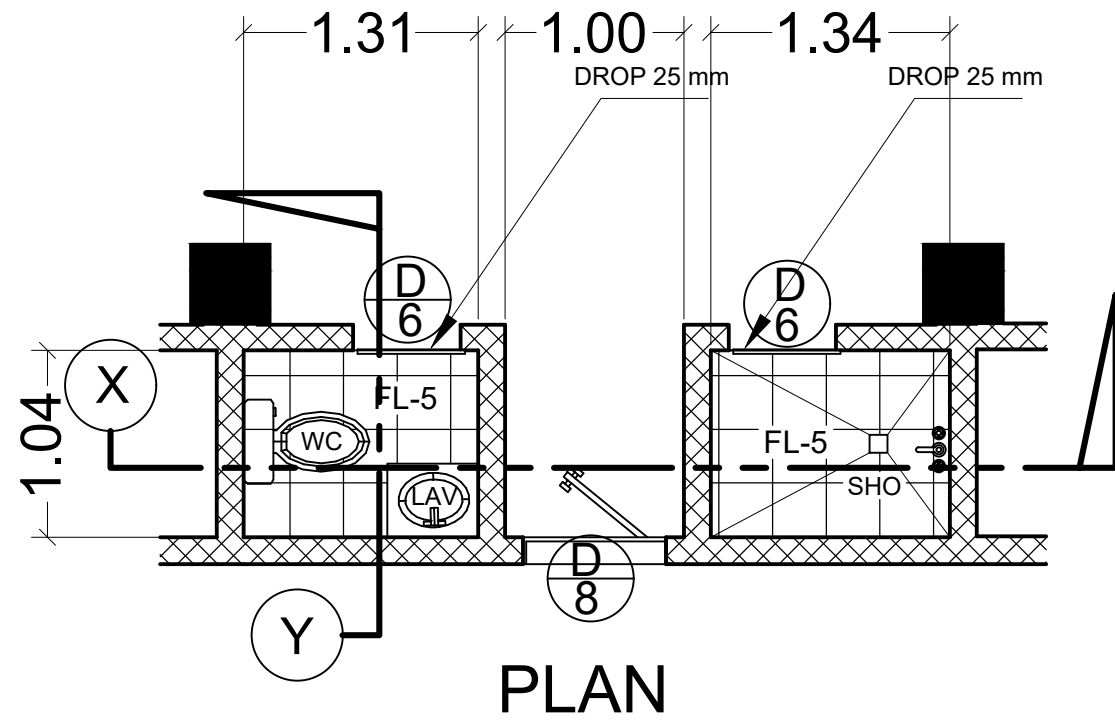
SECTION-X



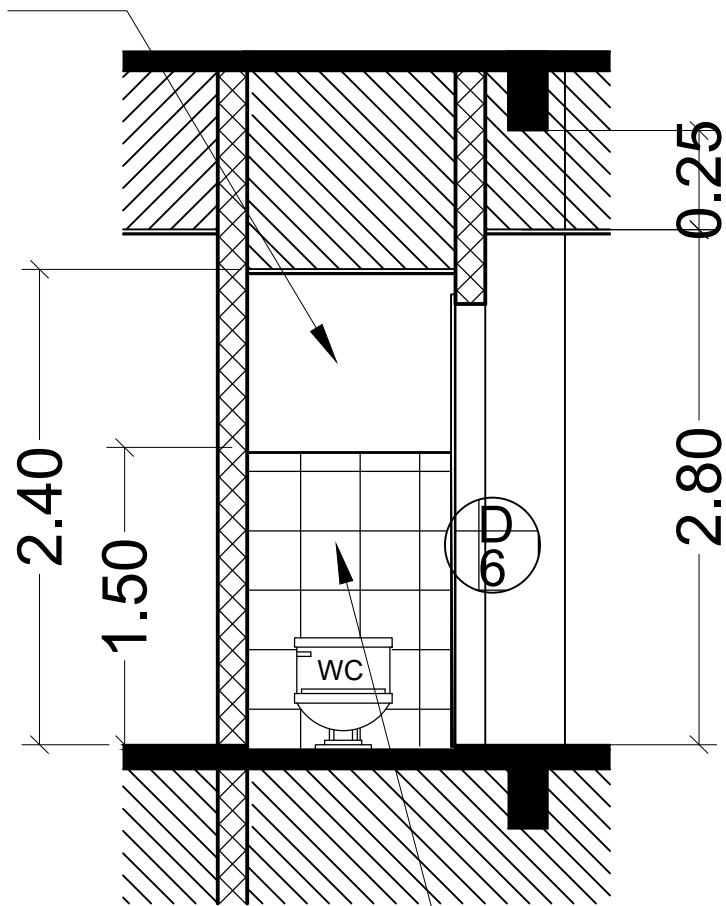
SECTION-Y



SECTION-X



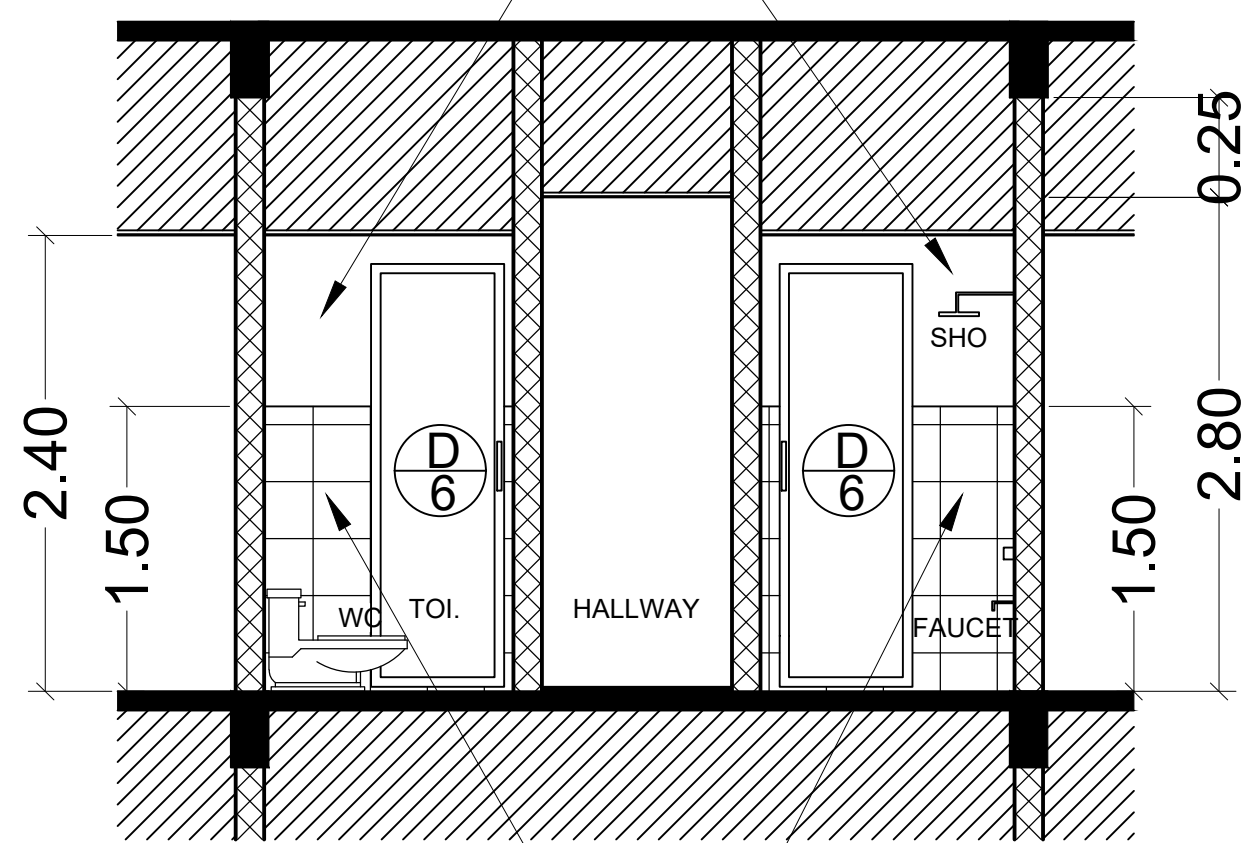
PLAIN CEMENT PLASTER  
WITH PAINTED FINISH



300X600 RECTIFIED ZEN  
WALL TILES FINISH

**SECTION THRU - Y**

PLAIN CEMENT PLASTER  
WITH PAINTED FINISH



300X600 RECTIFIED ZEN  
WALL TILES FINISH

**SECTION THRU - X**

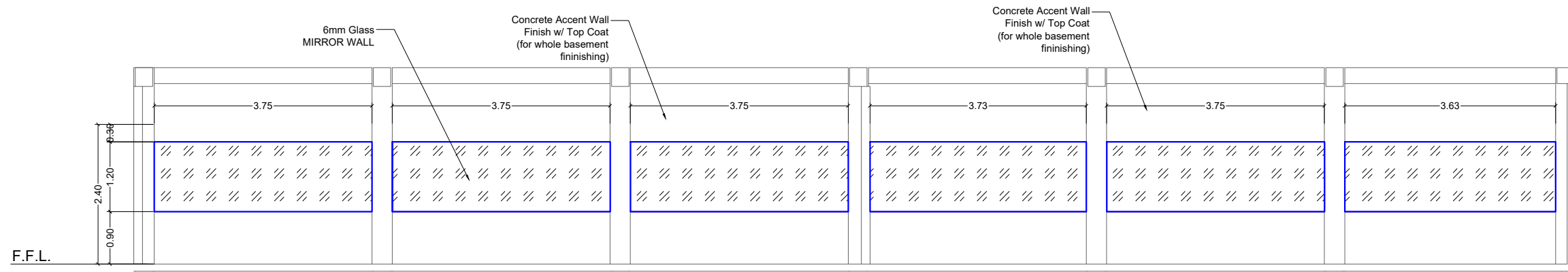
2  
AR-9

**TYPICAL DETAIL OF DORMER'S TOILET & BATH**

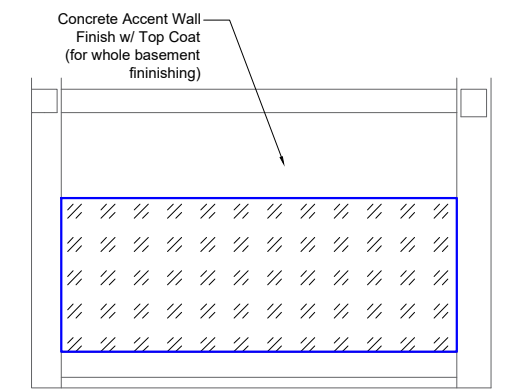
SCALE

1:50

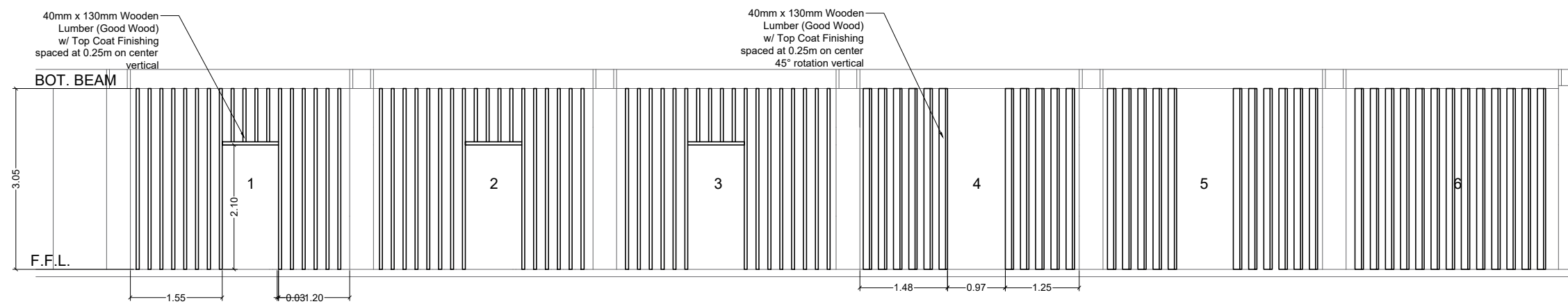
M.



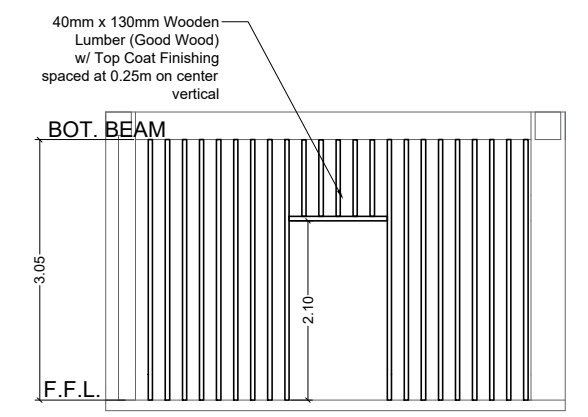
WALL DETAILS 1



WALL DETAILS 2

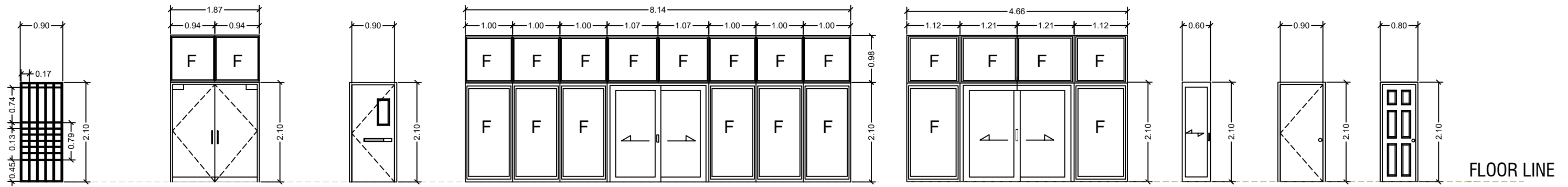


WOODEN VERTICAL SLATS DETAILS 1

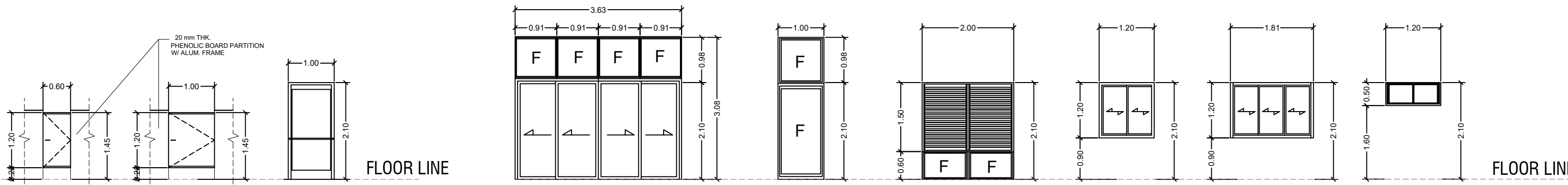


WOODEN VERTICAL SLATS DETAILS 2





**D-1** QTY: 2 units      **D-2** QTY: 3 units      **D-3** QTY: 4 units      **D-4** QTY: 3 units      **D-5** QTY: 2 units      **D-6** QTY: 68 units      **D-7** QTY: 2 units      **D-8** QTY: 44 units



**D-9** QTY: 4 units      **D-10** QTY: 2 units      **D-11** QTY: 2 units      **W-1** QTY: 6 units      **W-2** QTY: 2 units      **W-3** QTY: 32 units      **W-4** QTY: 3 units      **W-5** QTY: 7 units      **W-6** QTY: 1 unit

**LEGEND:**

**DOORS**

D-1	TUBULAR STEEL 25mm X 25mm
D-2	6mm THK DOUBLE SWING TEMPERED GLASS DOOR WITH ALUM. FRAME
D-3	3mm THK STEEL DOOR W/ 20 cm X 40 cm OBSERVATION GLASS
D-4	6mm THK TEMPERED SLIDING GLASS DOOR W/ 6mm THK FIXED CLEAR GLASS ON ALUM. ANALOC TUBULAR FRAME
D-5	6mm THK TEMPERED SLIDING GLASS DOOR W/ 6mm THK FIXED CLEAR GLASS ON ALUM. ANALOC TUBULAR FRAME
D-6	ALUM. FRAME SLIDING SMOKE GLASS DOOR
D-7	SINGLE SWING PVC DOOR
D-8	SINGLE SWING WOODEN PANEL DOOR WITH 2" X 6" WOODEN DOOR JAMB
D-9	PHENOLIC BOARD DOOR
D-10	PHENOLIC BOARD DOOR
D-11	SINGLE SWING 6mm THK TEMPERED GLASS DOOR ON ALUM. ANALOC TUBULAR FRAME

**WINDOWS**

W-1	SLIDING GLASS DOOR W/ 6mm THK TEMPERED GLASS ON ALUM. ANALOC FRAMING
W-2	6mm THK ALUMINUM CLEAR GLASS FIXED WINDOW PARTITION
W-3	6 mm thk. GLASS JALOUSIE WINDOW W/ SCREEN AND FIXED CLEAR GLASS ON ANALOC ALUMINUM FRAME AT THE BOTTOM
W-4	ALUM. FRAME DOUBLE SLIDING GLASS PANEL WINDOW
W-5	ALUM. FRAME TRIPLE SLIDING GLASS PANEL WINDOW
W-6	ALUM. FRAME AWNING CLEAR GLASS WINDOW