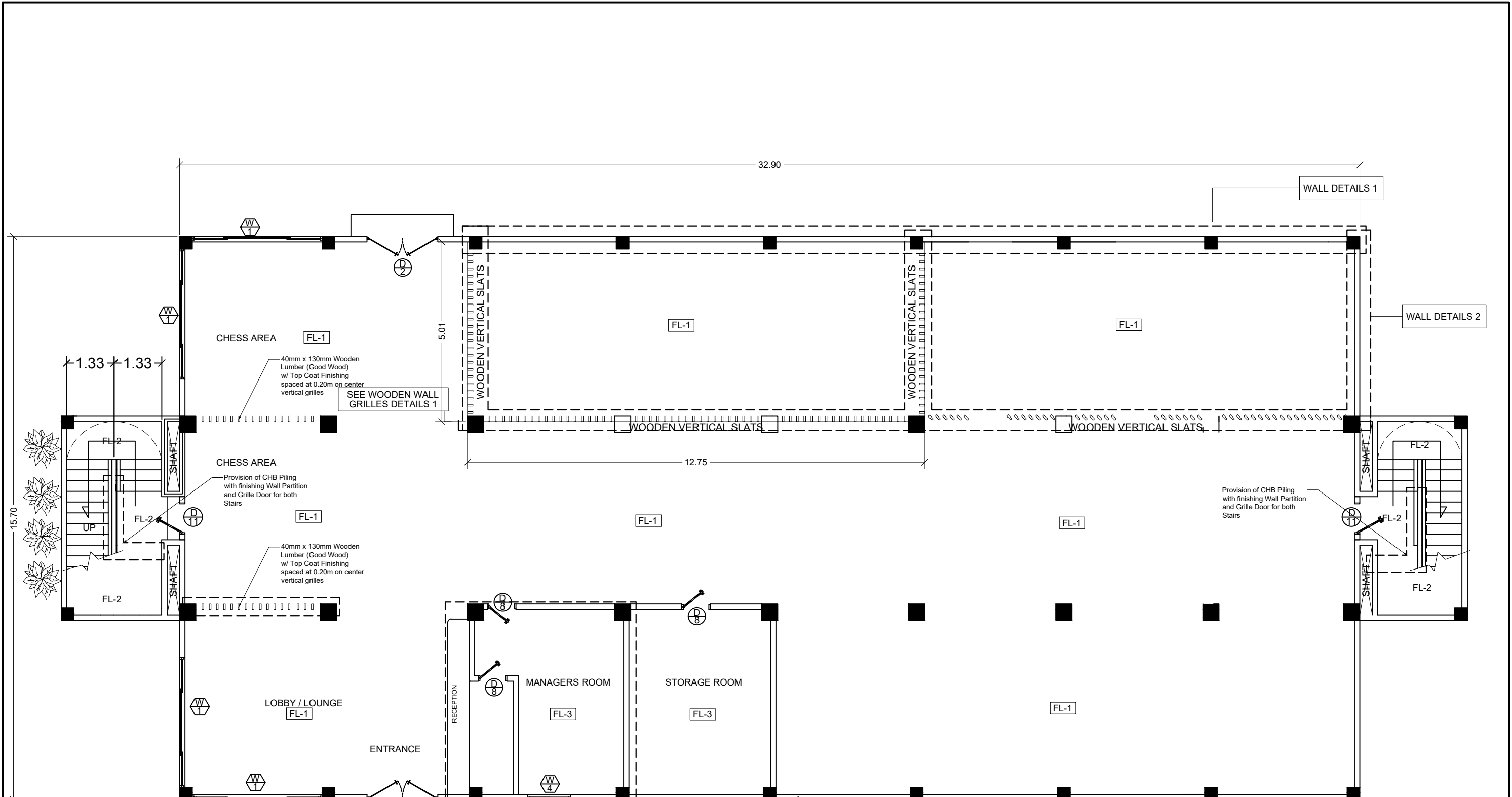


THIS AREA TO LANDSCAPE

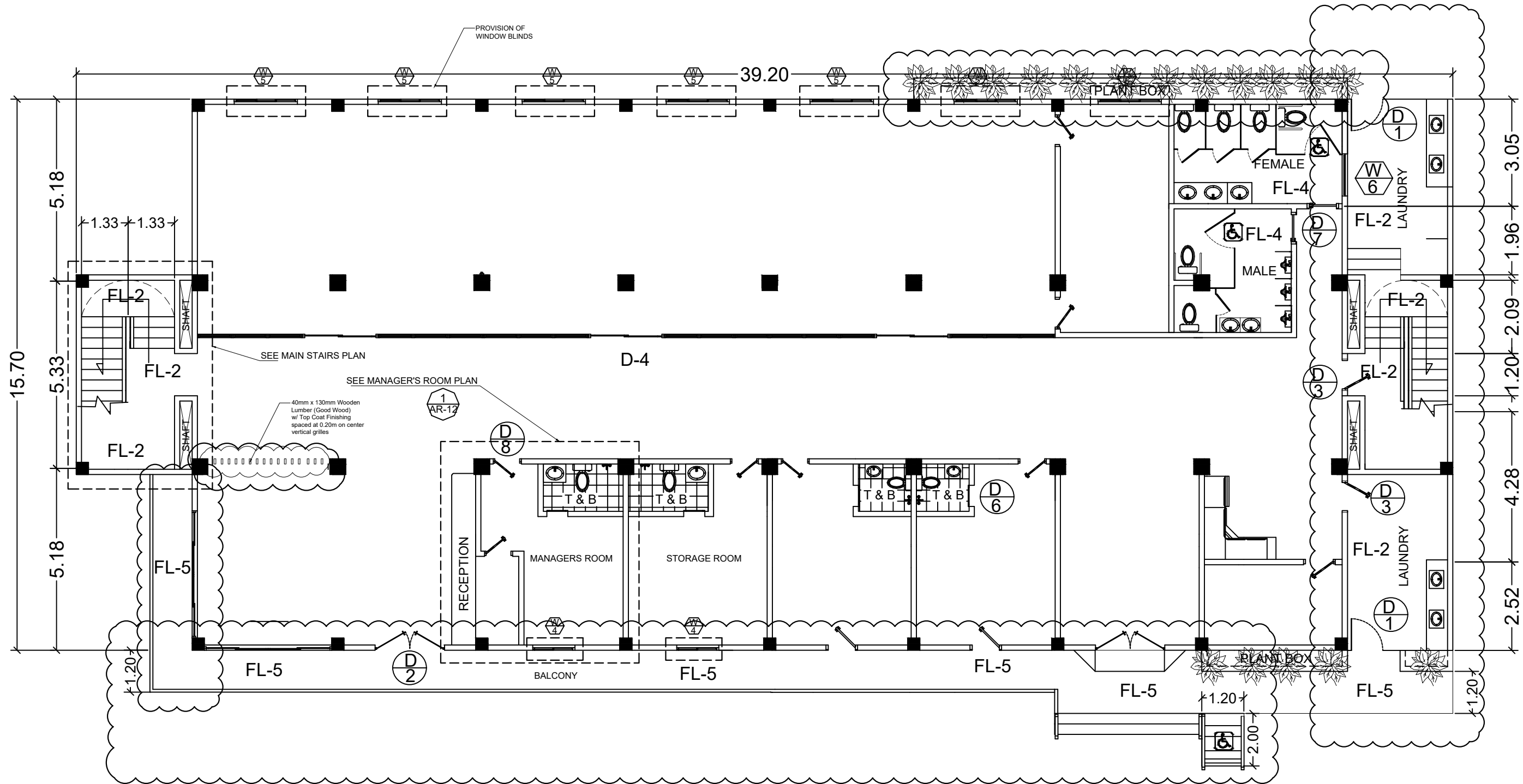
SCHEDULE OF FLOOR & FINISHES		
MARK	DESCRIPTION	REMARKS
FL-1	600mm X 600mm PORCELAIN FLOOR TILES WOOD DESIGN	DESIGN IS UPON APPROVAL
FL-2	PLAIN CEMENT FLOOR SMOOTH FINISHED (WITH POLYURETHANE APPLICATION FINISHED)	SAME AS THE ACTUAL PRESENT DESIGN
FL-3	600mm X 600mm PORCELAIN FLOOR TILES FINISH	SAME AS THE ACTUAL PRESENT DESIGN
FL-4	300mm X 300 mm NON-SKID PORCELAIN FLOOR TILES FINISH	SAME AS THE ACTUAL PRESENT DESIGN
FL-5	600mm X 600mm NON-SKID PORCELAIN FLOOR TILES FINISH	DESIGN IS UPON APPROVAL
FL-6	600mm X 600mm PORCELAIN FLOOR TILES FINISH	DESIGN IS UPON APPROVAL
FL-7	600mm X 600mm NON-SLIP OUTDOOR TILES	DESIGN IS UPON APPROVAL

1
SITE DEVELOPMENT PLAN
 SCALE 1:100 M.



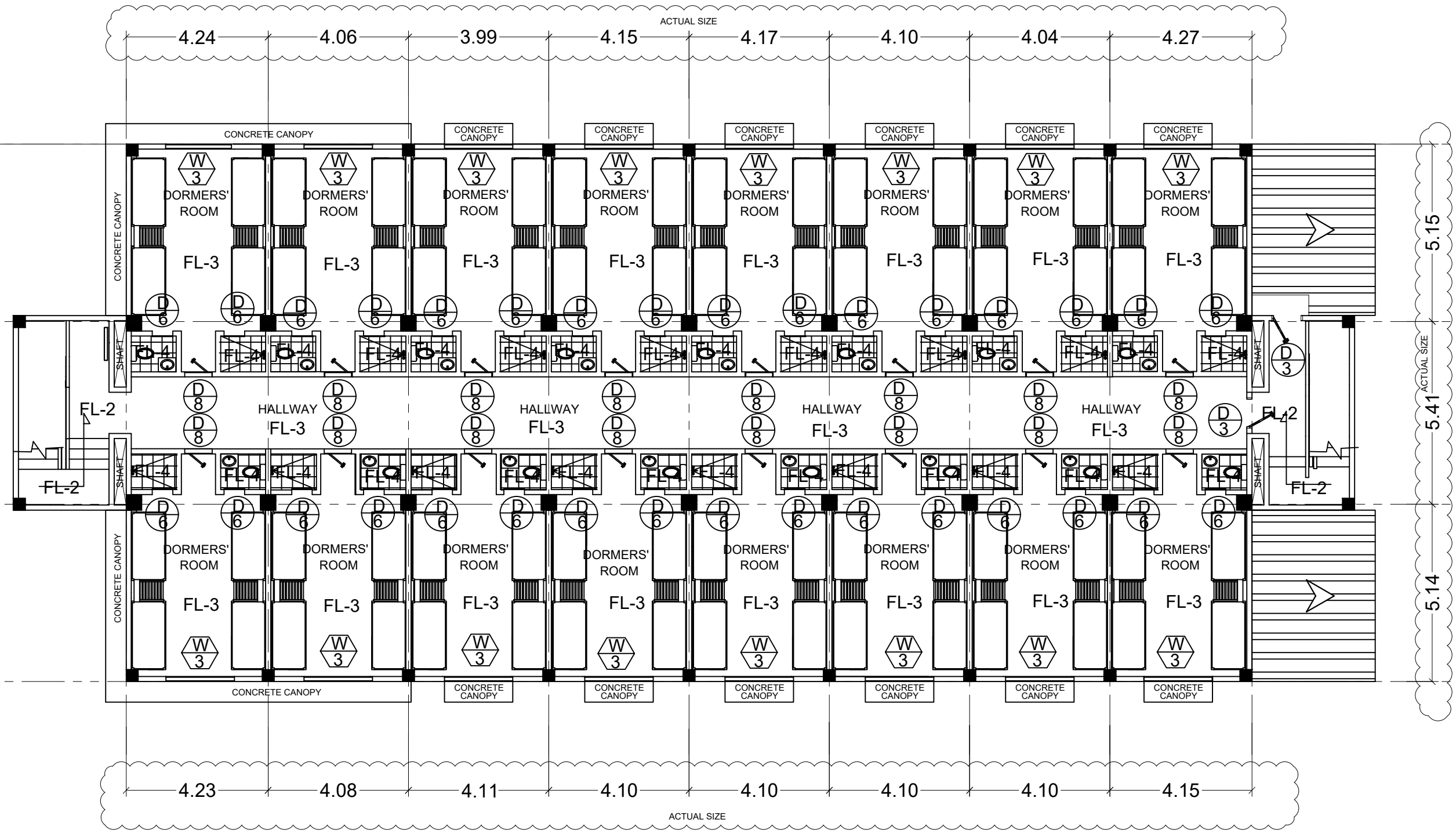
1
LOWER GROUND FLOOR PLAN
 SCALE 1:100 M.

SCHEDULE OF FLOOR & FINISHES		
MARK	DESCRIPTION	REMARKS
FL-1	600mm X 600mm PORCELAIN FLOOR TILES WOOD DESIGN	DESIGN IS UPON APPROVAL
FL-2	PLAIN CEMENT FLOOR SMOOTH FINISHED (WITH POLYURETHANE APPLICATION FINISHED)	SAME AS THE ACTUAL PRESENT DESIGN
FL-3	600mm X 600mm PORCELAIN FLOOR TILES FINISH	SAME AS THE ACTUAL PRESENT DESIGN
FL-4	300mm X 300 mm NON-SKID PORCELAIN FLOOR TILES FINISH	SAME AS THE ACTUAL PRESENT DESIGN
FL-5	600mm X 600mm NON-SKID PORCELAIN FLOOR TILES FINISH	DESIGN IS UPON APPROVAL
FL-6	600mm X 600mm PORCELAIN FLOOR TILES FINISH	DESIGN IS UPON APPROVAL
FL-7	600mm X 600mm NON-SLIP OUTDOOR TILES	DESIGN IS UPON APPROVAL



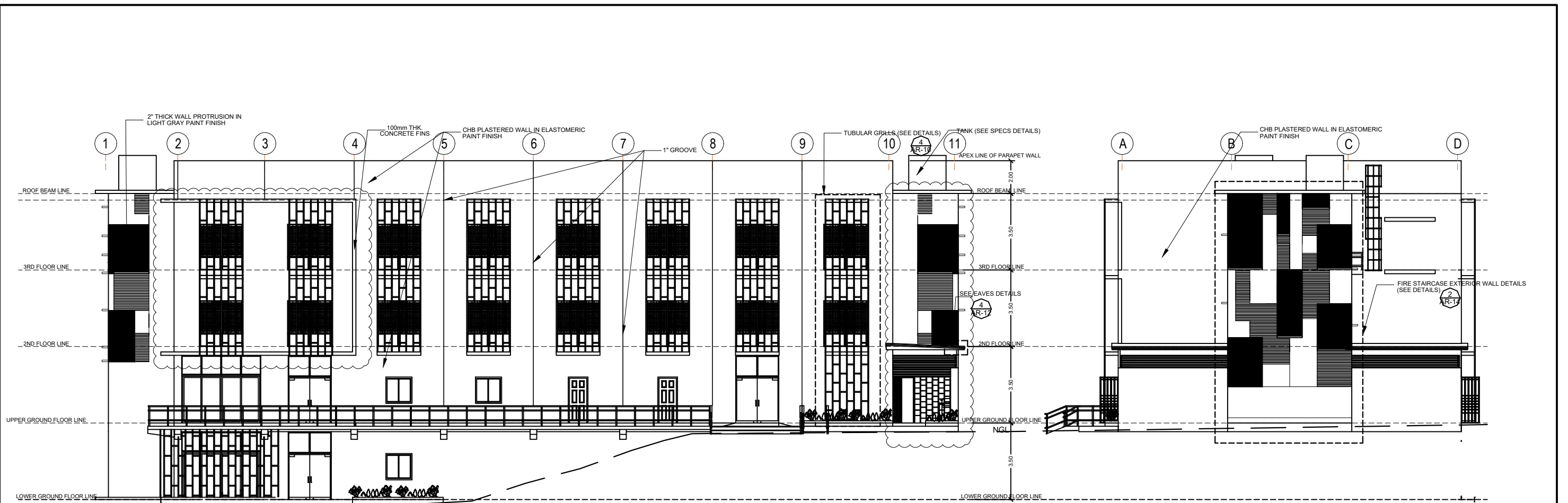
1
UPPER GROUND FLOOR
 SCALE 1:100 M.

SCHEDULE OF FLOOR & FINISHES		
MARK	DESCRIPTION	REMARKS
FL-1	600mm X 600mm PORCELAIN FLOOR TILES WOOD DESIGN	DESIGN IS UPON APPROVAL
FL-2	PLAIN CEMENT FLOOR SMOOTH FINISHED (WITH POLYURETHANE APPLICATION FINISHED)	SAME AS THE ACTUAL PRESENT DESIGN
FL-3	600mm X 600mm PORCELAIN FLOOR TILES FINISH	SAME AS THE ACTUAL PRESENT DESIGN
FL-4	300mm X 300 mm NON-SKID PORCELAIN FLOOR TILES FINISH	SAME AS THE ACTUAL PRESENT DESIGN
FL-5	600mm X 600mm NON-SKID PORCELAIN FLOOR TILES FINISH	DESIGN IS UPON APPROVAL
FL-6	600mm X 600mm PORCELAIN FLOOR TILES FINISH	DESIGN IS UPON APPROVAL
FL-7	600mm X 600mm NON-SLIP OUTDOOR TILES	DESIGN IS UPON APPROVAL



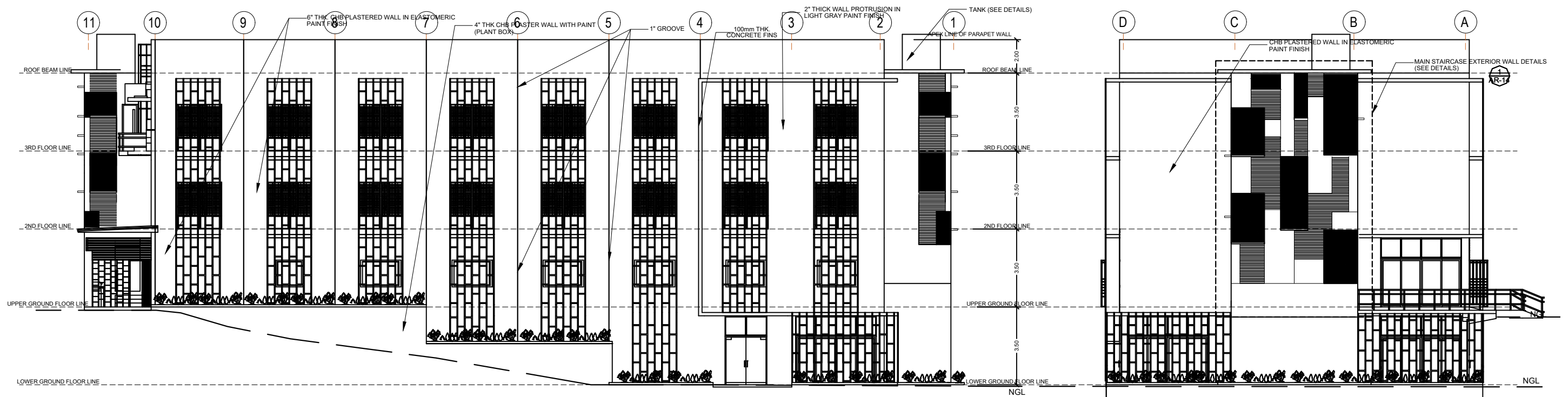
1 THIRD FLOOR PLAN
SCALE 1:100 M.

SCHEDULE OF FLOOR & FINISHES		
MARK	DESCRIPTION	REMARKS
FL-1	600mm X 600mm PORCELAIN FLOOR TILES WOOD DESIGN	DESIGN IS UPON APPROVAL
FL-2	PLAIN CEMENT FLOOR SMOOTH FINISHED (WITH POLYURETHANE APPLICATION FINISHED)	SAME AS THE ACTUAL PRESENT DESIGN
FL-3	600mm X 600mm PORCELAIN FLOOR TILES FINISH	SAME AS THE ACTUAL PRESENT DESIGN
FL-4	300mm X 300 mm NON-SKID PORCELAIN FLOOR TILES FINISH	SAME AS THE ACTUAL PRESENT DESIGN
FL-5	600mm X 600mm NON-SKID PORCELAIN FLOOR TILES FINISH	DESIGN IS UPON APPROVAL
FL-6	600mm X 600mm PORCELAIN FLOOR TILES FINISH	DESIGN IS UPON APPROVAL
FL-7	600mm X 600mm NON-SLIP OUTDOOR TILES	DESIGN IS UPON APPROVAL



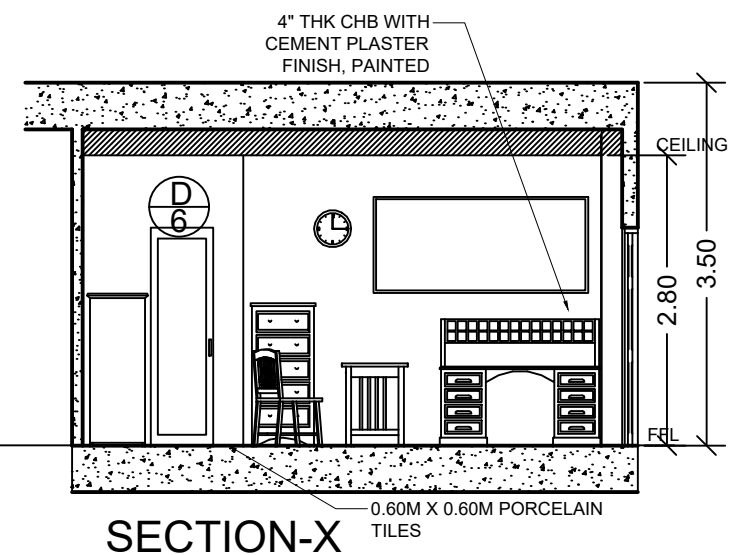
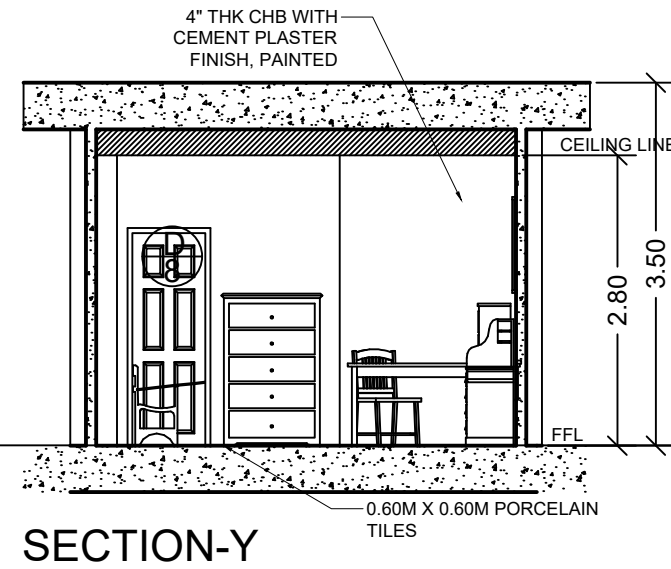
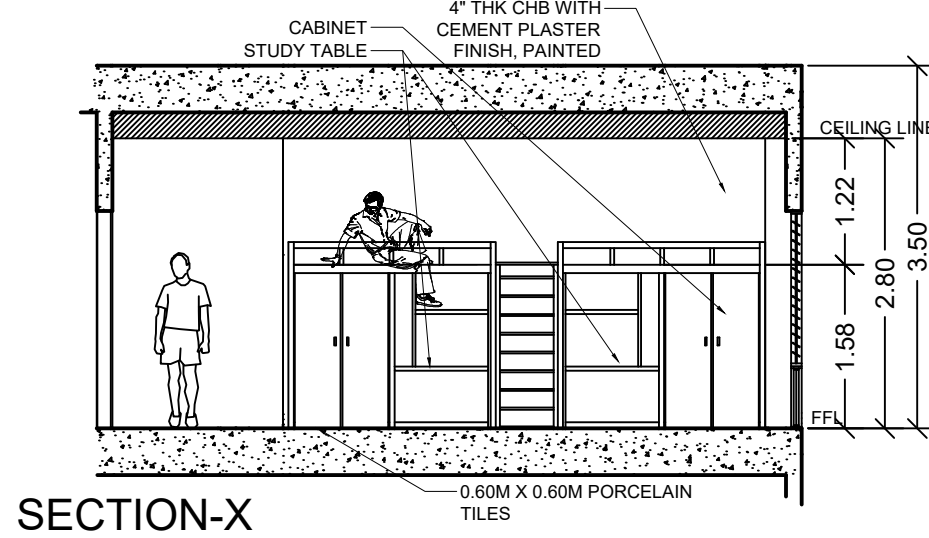
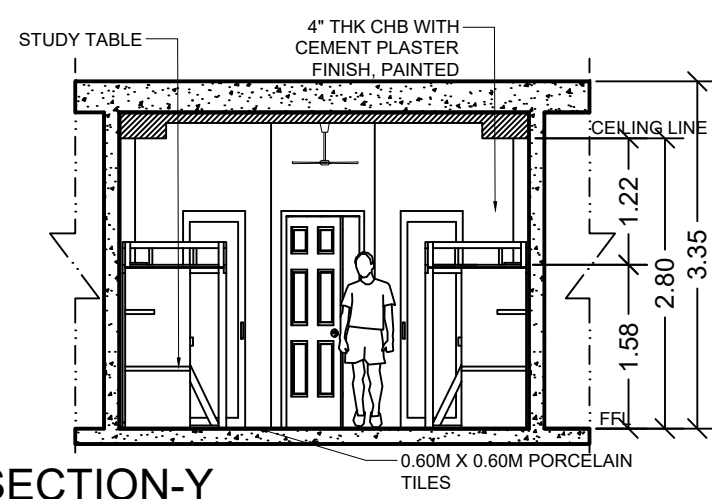
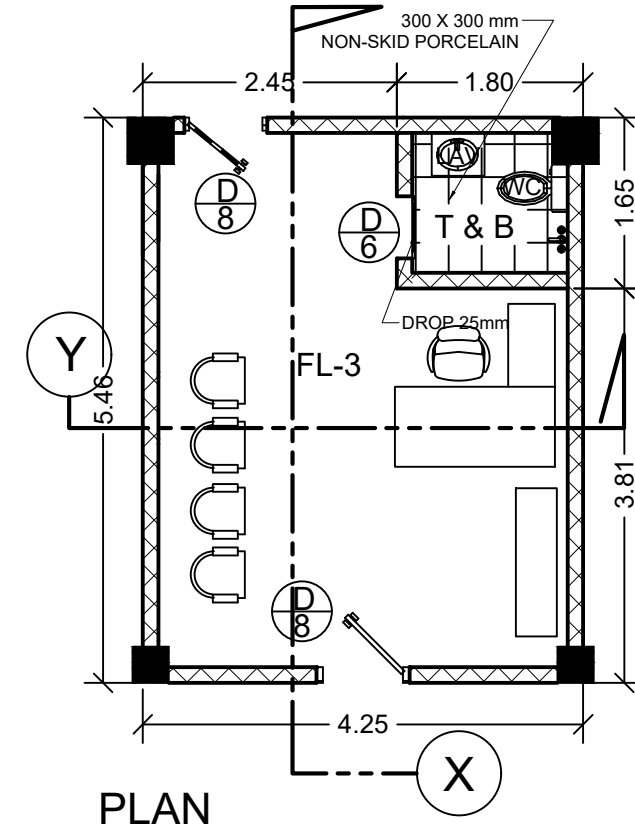
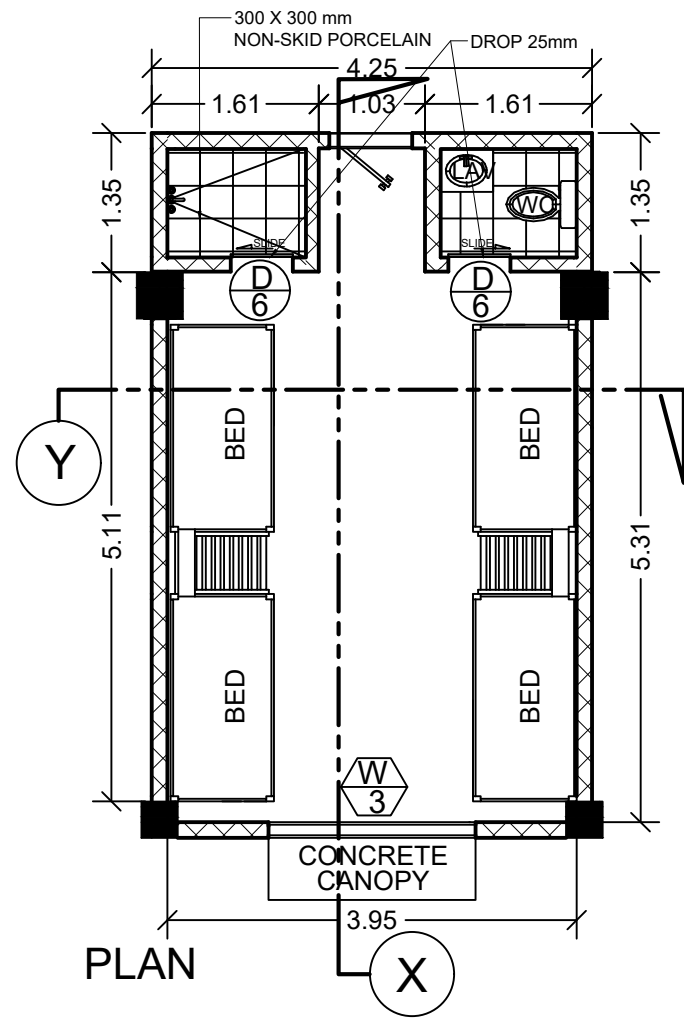
1 FRONT ELEVATION
AR-7 SCALE 1:100 M.

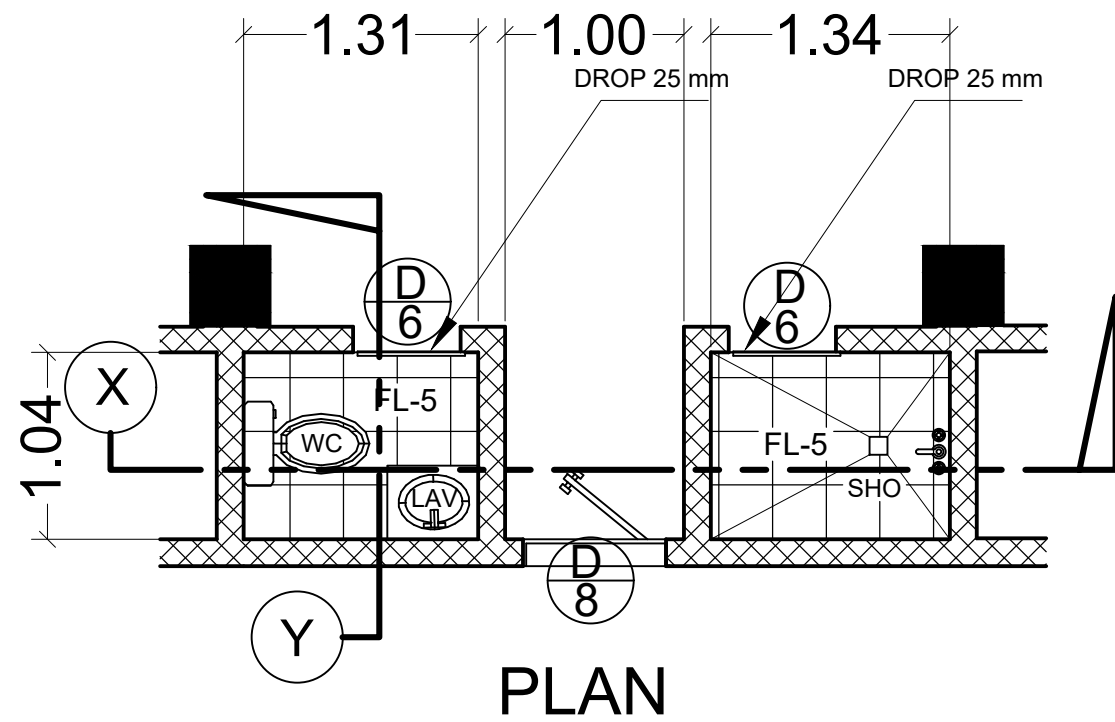
2 RIGHT SIDE ELEVATION
AR-7 SCALE 1:100 M.



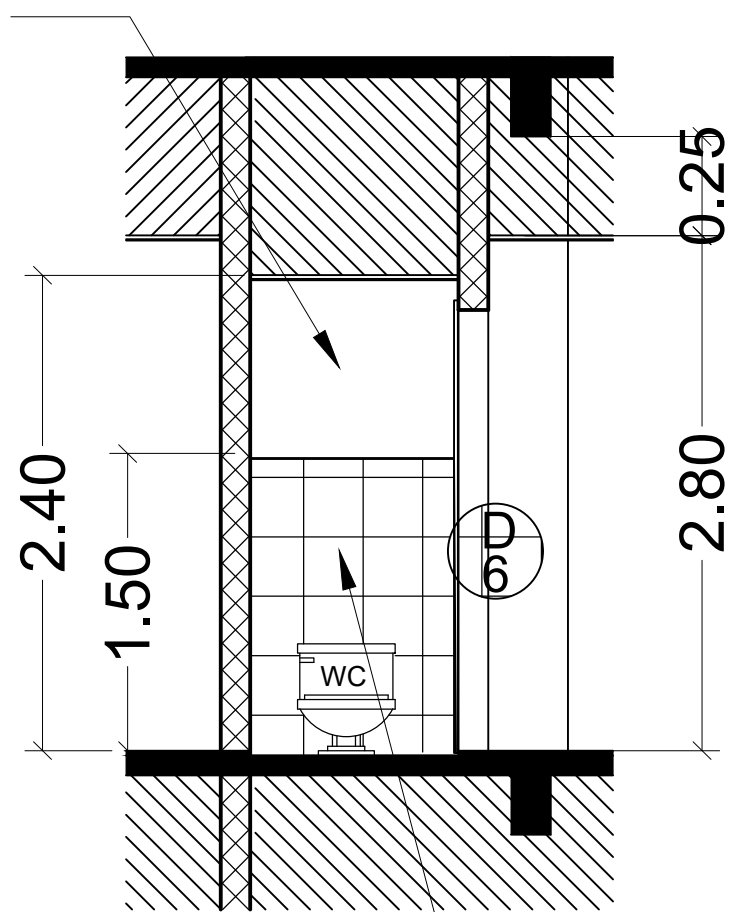
3 REAR ELEVATION
AR-7 SCALE 1:100 M.

4 LEFT SIDE ELEVATION
AR-7 SCALE 1:100 M.



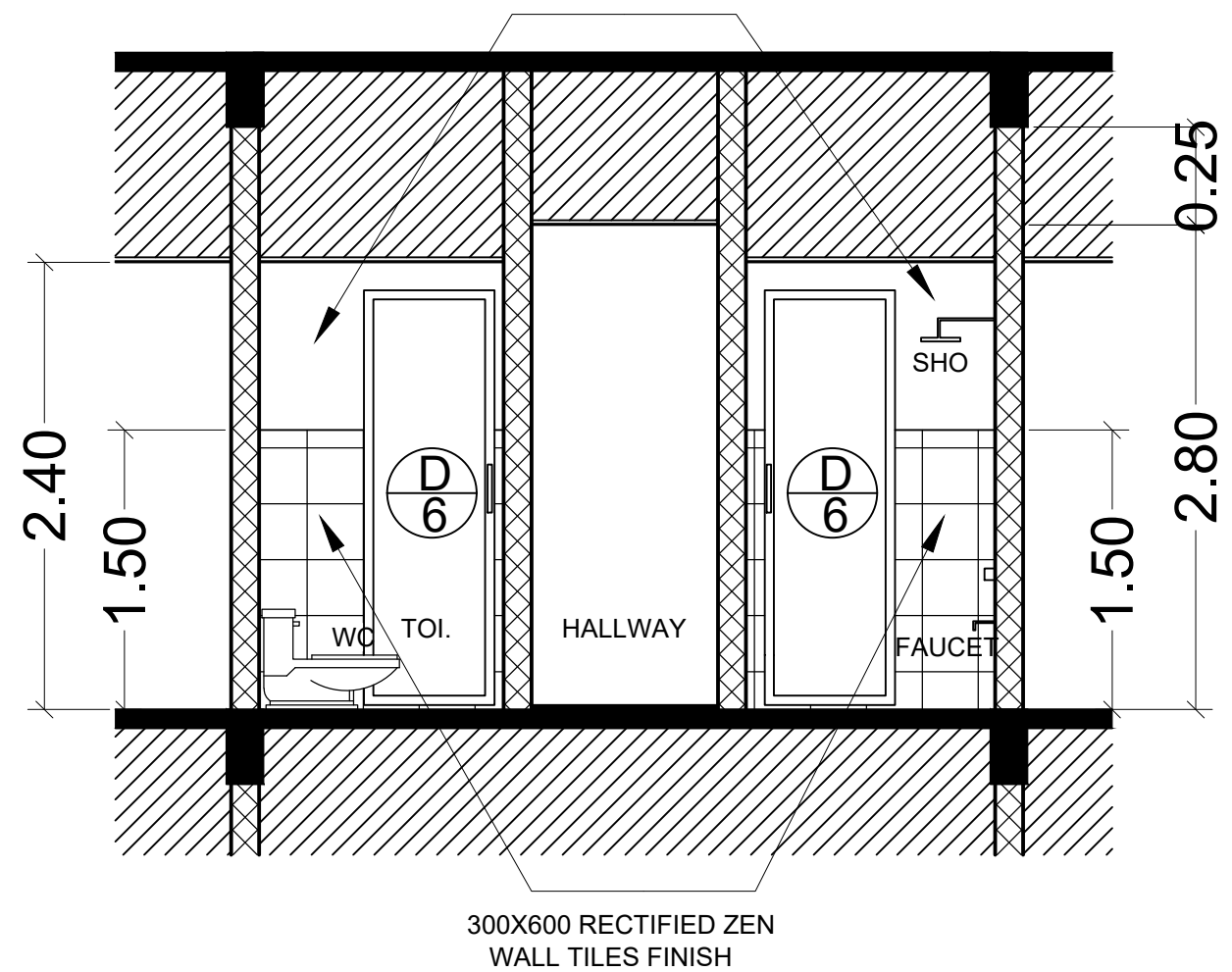


PLAIN CEMENT PLASTER
WITH PAINTED FINISH



SECTION THRU - Y

PLAIN CEMENT PLASTER
WITH PAINTED FINISH



SECTION THRU - X

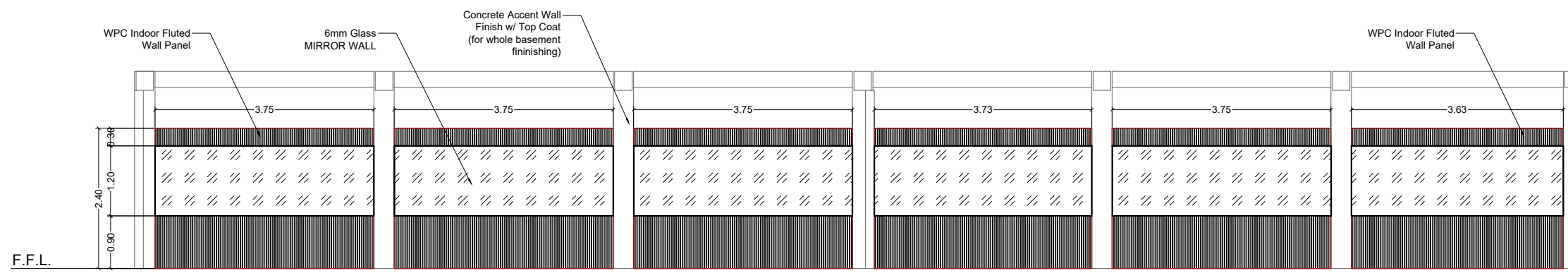
2
AR-9

TYPICAL DETAIL OF DORMER'S TOILET & BATH

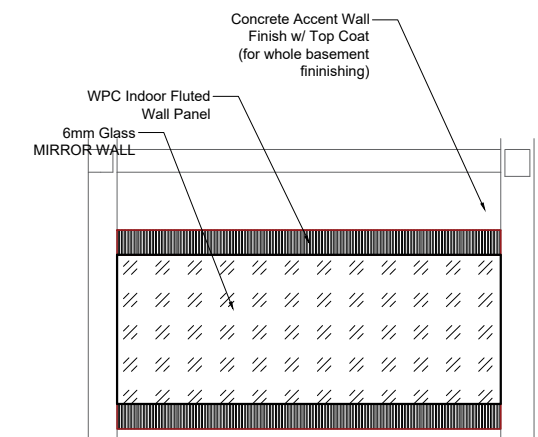
SCALE

1:50

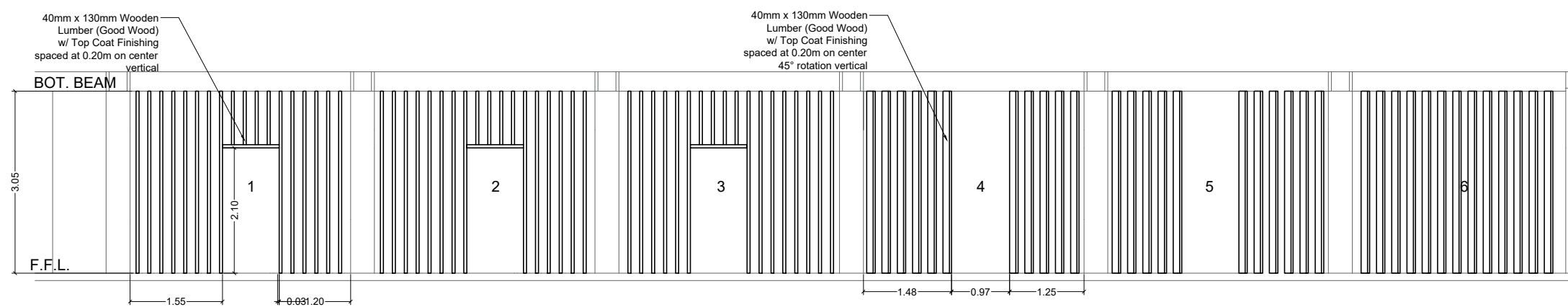
M.



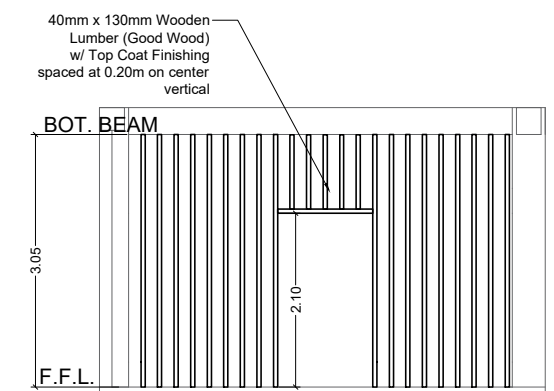
WALL DETAILS 1



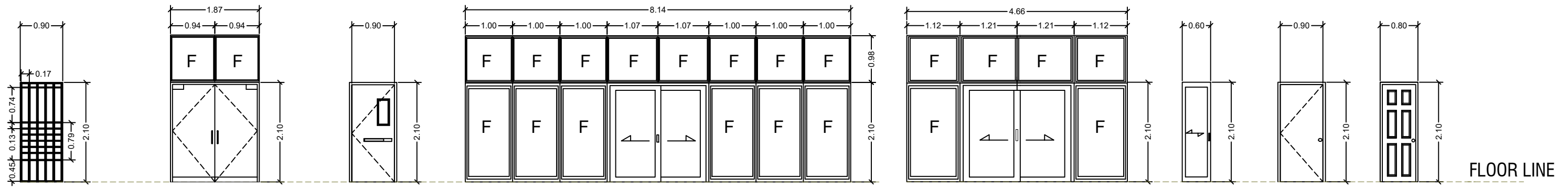
WALL DETAILS 2



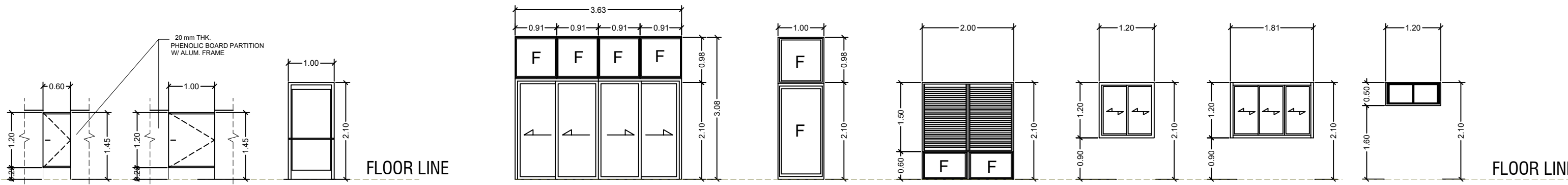
WOODEN VERTICAL SLATS DETAILS 1



WOODEN VERTICAL SLATS DETAILS 2



D-1 QTY: 2 units **D-2** QTY: 3 units **D-3** QTY: 4 units **D-4** QTY: 3 units **D-5** QTY: 2 units **D-6** QTY: 68 units **D-7** QTY: 2 units **D-8** QTY: 44 units



D-9 QTY: 4 units **D-10** QTY: 2 units **D-11** QTY: 2 units **W-1** QTY: 6 units **W-2** QTY: 2 units **W-3** QTY: 32 units **W-4** QTY: 3 units **W-5** QTY: 7 units **W-6** QTY: 1 unit

LEGEND:

DOORS

D-1	TUBULAR STEEL 25mm X 25mm
D-2	6mm THK DOUBLE SWING TEMPERED GLASS DOOR WITH ALUM. FRAME
D-3	3mm THK STEEL DOOR W/ 20 cm X 40 cm OBSERVATION GLASS
D-4	6mm THK TEMPERED SLIDING GLASS DOOR W/ 6mm THK FIXED CLEAR GLASS ON ALUM. ANALOC TUBULAR FRAME
D-5	6mm THK TEMPERED SLIDING GLASS DOOR W/ 6mm THK FIXED CLEAR GLASS ON ALUM. ANALOC TUBULAR FRAME
D-6	ALUM. FRAME SLIDING SMOKE GLASS DOOR
D-7	SINGLE SWING PVC DOOR
D-8	SINGLE SWING WOODEN PANEL DOOR WITH 2" X 6" WOODEN DOOR JAMB
D-9	PHENOLIC BOARD DOOR
D-10	PHENOLIC BOARD DOOR
D-11	SINGLE SWING 6mm THK TEMPERED GLASS DOOR ON ALUM. ANALOC TUBULAR FRAME

WINDOWS

W-1	SLIDING GLASS DOOR W/ 6mm THK TEMPERED GLASS ON ALUM. ANALOC FRAMING
W-2	6mm THK ALUMINUM CLEAR GLASS FIXED WINDOW PARTITION
W-3	6 mm thk. GLASS JALOUSIE WINDOW W/ SCREEN AND FIXED CLEAR GLASS ON ANALOC ALUMINUM FRAME AT THE BOTTOM
W-4	ALUM. FRAME DOUBLE SLIDING GLASS PANEL WINDOW
W-5	ALUM. FRAME TRIPLE SLIDING GLASS PANEL WINDOW
W-6	ALUM. FRAME AWNING CLEAR GLASS WINDOW