

RECOMMENDING APPROVAL:

APPROVED:

BUILDING OFFICIAL _____ DATE _____

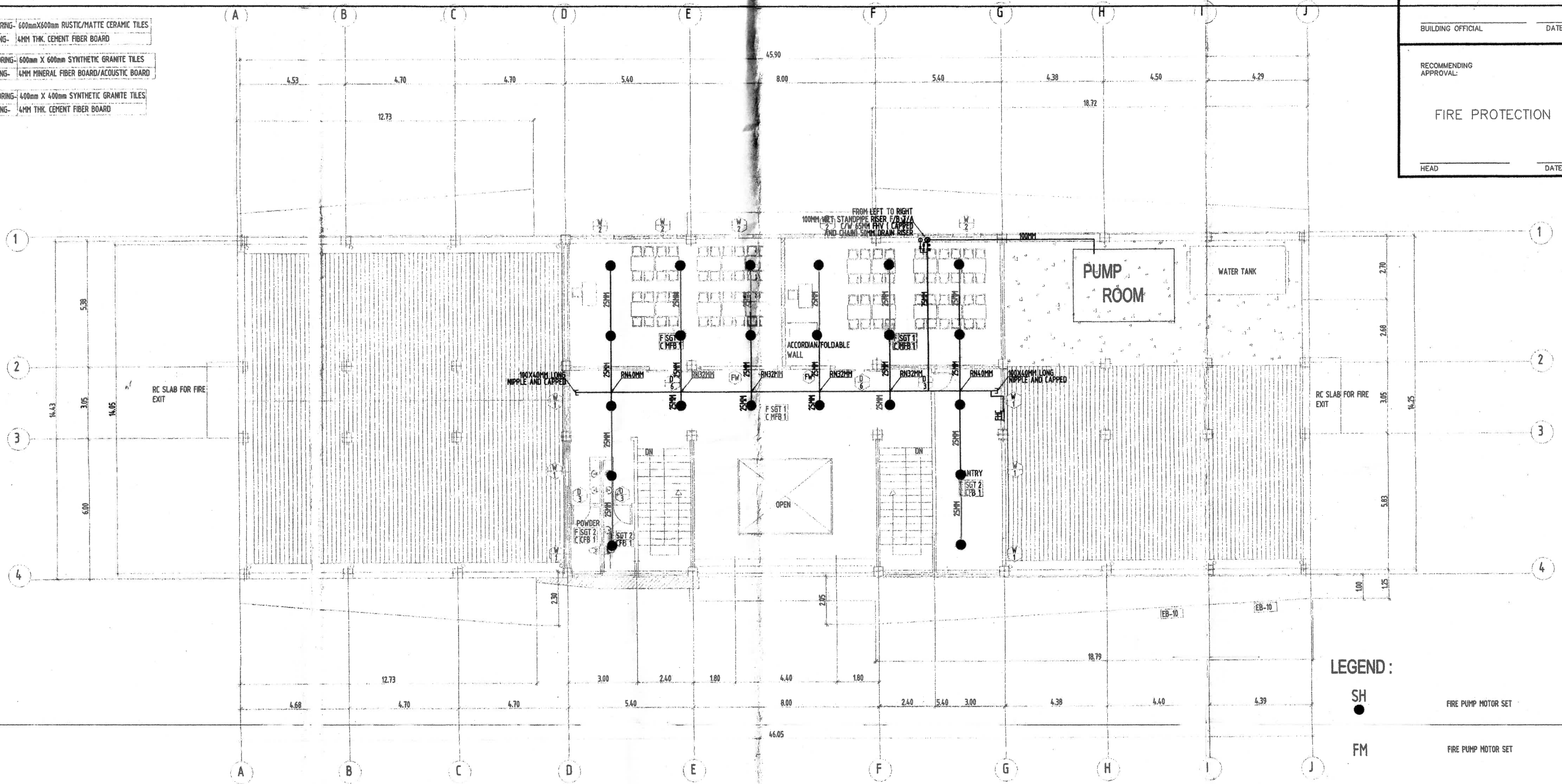
RECOMMENDING APPROVAL:

FIRE PROTECTION

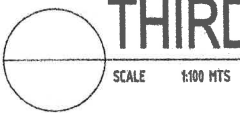
HEAD _____ DATE _____

ASSIGNMENT

- FLOORING- 600mmX600mm RUSTIC/MATTE CERAMIC TILES
- CEILING- 4MM THK. CEMENT FIBER BOARD
- FLOORING- 600mm X 600mm SYNTHETIC GRANITE TILES
- CEILING- 4MM MINERAL FIBER BOARD/ACOUSTIC BOARD
- FLOORING- 400mm X 400mm SYNTHETIC GRANITE TILES
- CEILING- 4MM THK. CEMENT FIBER BOARD



THIRD FLOOR FIRE PROTECTION PLAN



- LEGEND :
- SH ● FIRE PUMP MOTOR SET
 - FM ● FIRE PUMP MOTOR SET
 - FIRE HOSE CABINET

FROM THE OFFICE OF:
ENGR. LEONIL M. PARAGSA
PROFESSIONAL MECHANICAL ENGINEER
ADDRESS: BF BLDG. ESCARIO ST., CEBU CITY

R.A. 9266 (Art. IV, Sec.33)
REG. NO. 4065
DATE: 11-11-2004
PTR NO. 177070
DATE: 01-03-2018
T I N: 902-443-011

SEAL

PROJECT NO.
REVISION NO. :
DRAWN BY: AMIL
DATE
CHECKED BY

PROJECT TITLE:
PROPOSED:
PROPOSED CONSTRUCTION OF ADMINISTRATION BUILDING
LOCATION: BRGY. COGON, DIPOLOG CITY

APPROVED AS TO PLAN:
OWNER:
ENGR. LOUIE C. JAMORA PAE, MSc
OWNER
ADDRESS: DIPOLOG CITY

| SHEET CONTENTS: | SHEET NO. |
|------------------|-----------|
| THIRD FLOOR PLAN | FP |
| | 01 |
| | 01 |

RECOMMENDING APPROVAL:

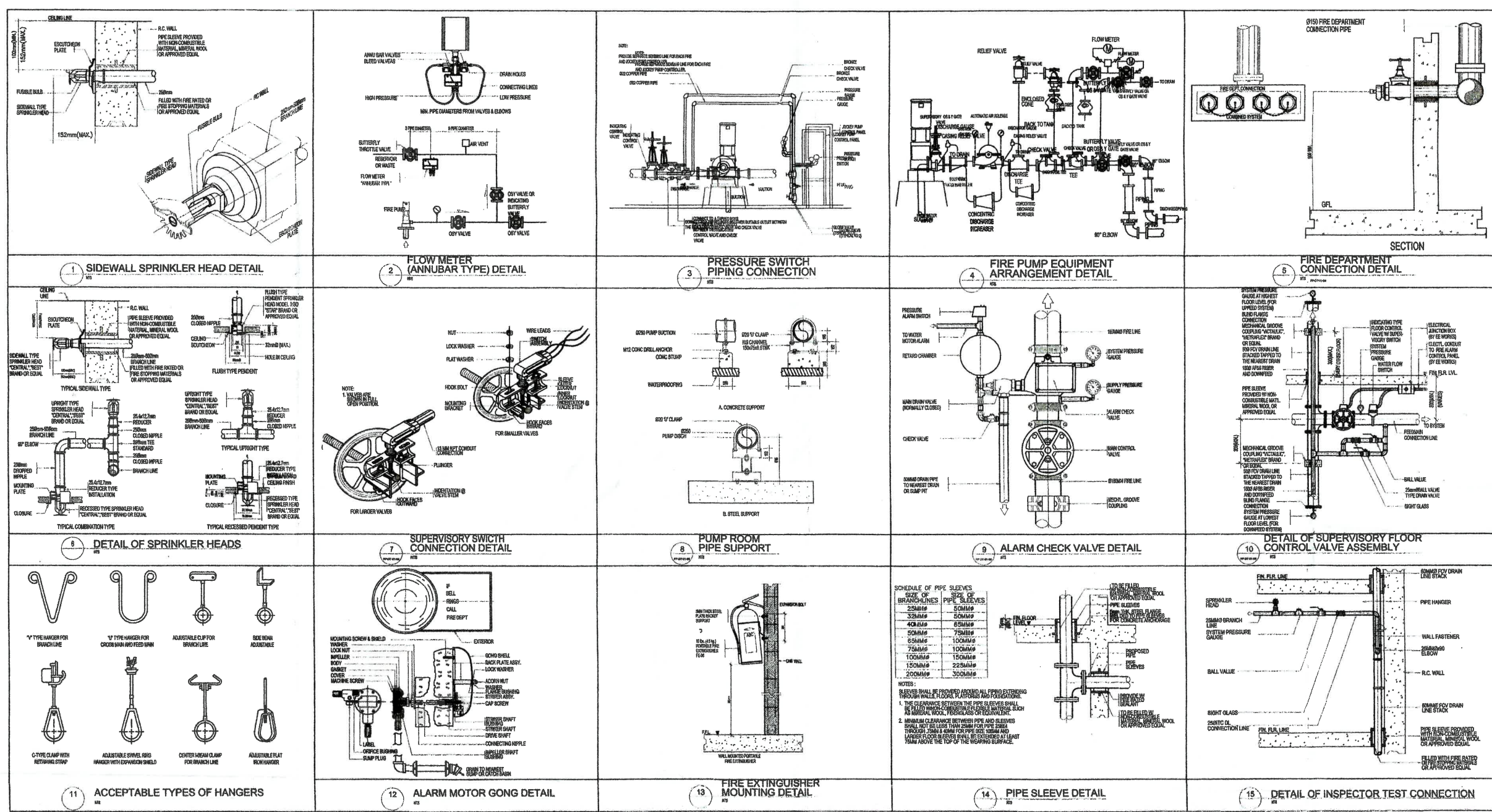
APPROVED:

BUILDING OFFICIAL DATE

RECOMMENDING APPROVAL:

FIRE PROTECTION

HEAD DATE



FROM THE OFFICE OF
ENGR. LEONIDAS M. PARAGSA
PROFESSIONAL MECHANICAL ENGINEER
ADDRESS: BF BLDG. ESCARIO ST., CEBU CITY

R.A. 9266 (Art. IV, Sec.33)
Drawings and specifications & other contract documents duly signed, stamped or sealed, as instruments of service are intellectual property & documents of the Architect, whether the object for w/c they are made is executed or not it shall be unlawful for any person to duplicate or to make copies of the said documents for the use in the repetition of & for other projects or buildings, whether executed partly or in a whole w/o the written consent of architect or author of said docs.

REG. NO. 4065
DATE: 11-11-2004
PTR NO. 177070
DATE: 01-03-2018
T I N: 902-443-011

SEAL

PROJECT NO.
REVISION NO.:
DRAWN BY: AMIL
DATE
CHECKED BY

PROJECT TITLE:
PROPOSED:
PROPOSED CONSTRUCTION OF ADMINISTRATION BUILDING
LOCATION: BRGY. COGON, DIPOLOG CITY

APPROVED AS TO PLAN:
OWNER:
ENGR. LOUIE C. JAMORA PAE, MSc
OWNER
ADDRESS: DIPOLOG CITY

SHEET CONTENTS:
MISCELLANEOUS

SHEET NO.
FP
01
05

RECOMMENDING APPROVAL:

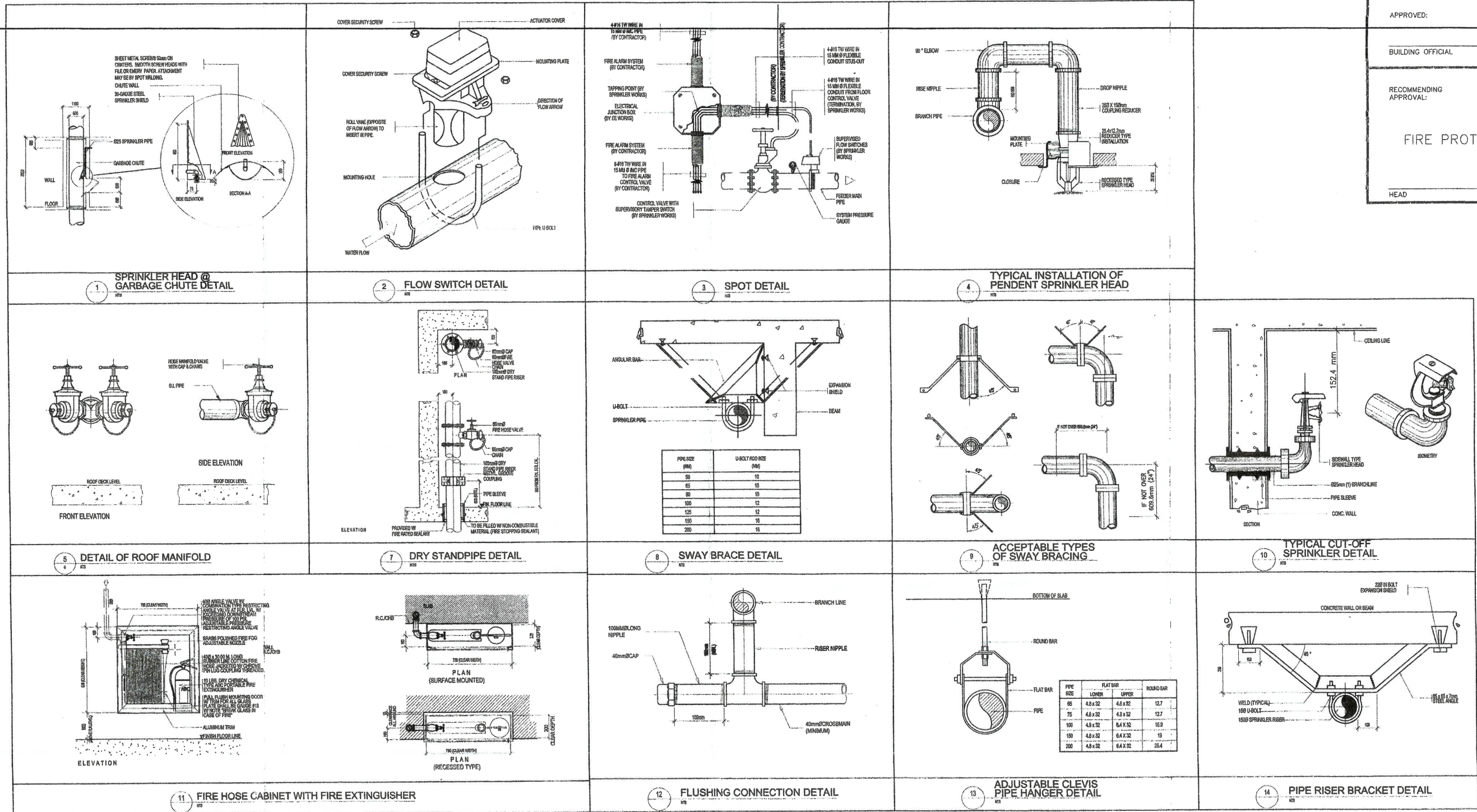
APPROVED:

BUILDING OFFICIAL _____ DATE _____

RECOMMENDING APPROVAL:

FIRE PROTECTION

HEAD _____ DATE _____



FROM THE OFFICE OF:
ENGR. LEONIL S. PARAGSA
PROFESSIONAL MECHANICAL ENGINEER
ADDRESS: BF BLDG. ESCARIO ST., CEBU CITY

R.A. 9266 (Art. IV, Sec. 33)
REG. NO. 4065
DATE: 11-11-2004
PTR NO. 177070
DATE: 01-03-2018
T I N: 902-443-011

SEAL

PROJECT NO.
REVISION NO.:
DRAWN BY: AMIL
DATE
CHECKED BY

PROJECT TITLE:
PROPOSED: **PROPOSED CONSTRUCTION OF ADMINISTRATION BUILDING**
LOCATION: BRGY. COGON, DIPOLOG CITY

APPROVED AS TO PLAN:
OWNER:
ENGR. LOUIE C. JAMORA PAE, MSc
OWNER
ADDRESS: DIPOLOG CITY

SHEET CONTENTS:
MISCELLANEOUS
SHEET NO.
FP
01
01 06

RECOMMENDING APPROVAL:

APPROVED:

BUILDING OFFICIAL _____ DATE _____

RECOMMENDING APPROVAL:

ELECTRONIC

HEAD _____ DATE _____

FIRE ALARM SYSTEM

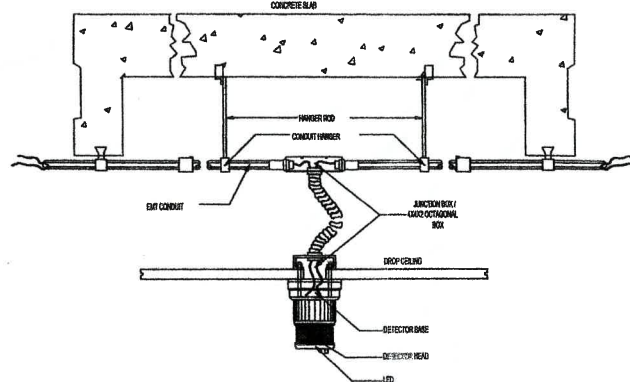
- NON-ADDRESABLE FIRE ALARM CONTROL PANEL
- MAXIMUM RADIUS ALLOWED PER SMOKE DETECTOR 10.0 M. EACH ROOM SHOULD HAVE SMOKE DETECTOR
- PROVIDE HEAT DETECTOR AT KITCHEN AREA.
- SMOKE DETECTOR SHOULD BE INSTALLED AS PER NFPA STANDARD AND FIRE CODE OF THE PHILIPPINES.
- DO NOT REDUCE EXISTING NUMBER OF SMOKE DETECTOR PROVISION AT SITE
- USED PVC FOR ELECTRICAL PIPES
- PROVIDE AT LEAST ONE (1) UNIT DETECTOR FOR ENCLOSED ROOM.

LEGEND

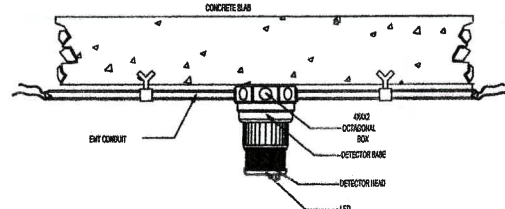
- | | | |
|--|--|--|
| | SMOKE DETECTOR (PHOTO ELECTRIC) | (+) - RED |
| | HEAT DETECTOR | (-) - BLACK |
| | ALARM BELL | EOLD END OF LINE OF DETECTION |
| | MANUAL PUSH/PULL STATION W/ FIREMAN'S TELEPHONE JACK | EOLB END OF LINE OF BELL |
| | ANNUNCIATOR PANEL | EOLMP/B END OF LINE OF FIREMAN'S TELEPHONE JACK AND MANUAL PUSH/PULL STATION |
| | RISER | |
| | FIRE ALARM CONTROL PANEL (FACP) | |
| | | |
| | | |

ALARM BELL

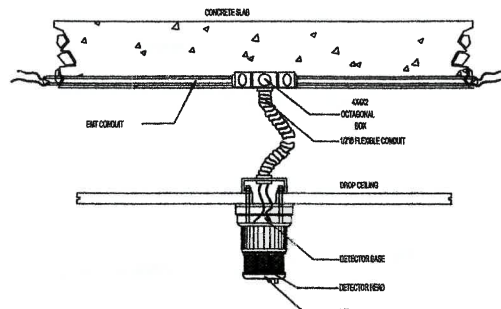
- (+) - BLUE
- (-) - WHITE



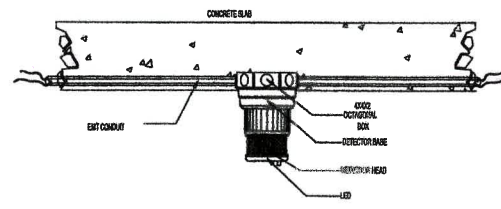
DETECTOR, CONDUIT, HANGERS, CONNECTORS AND JUNCTION BOXES, MOUNTING DETAIL



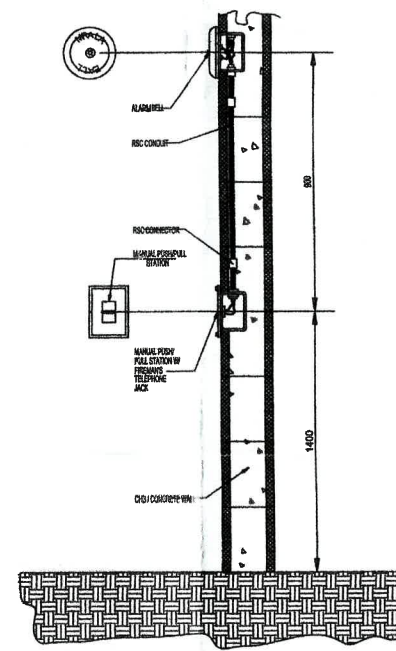
DETECTOR MOUNTING DETAIL WITH EXPOSED CONDUITS



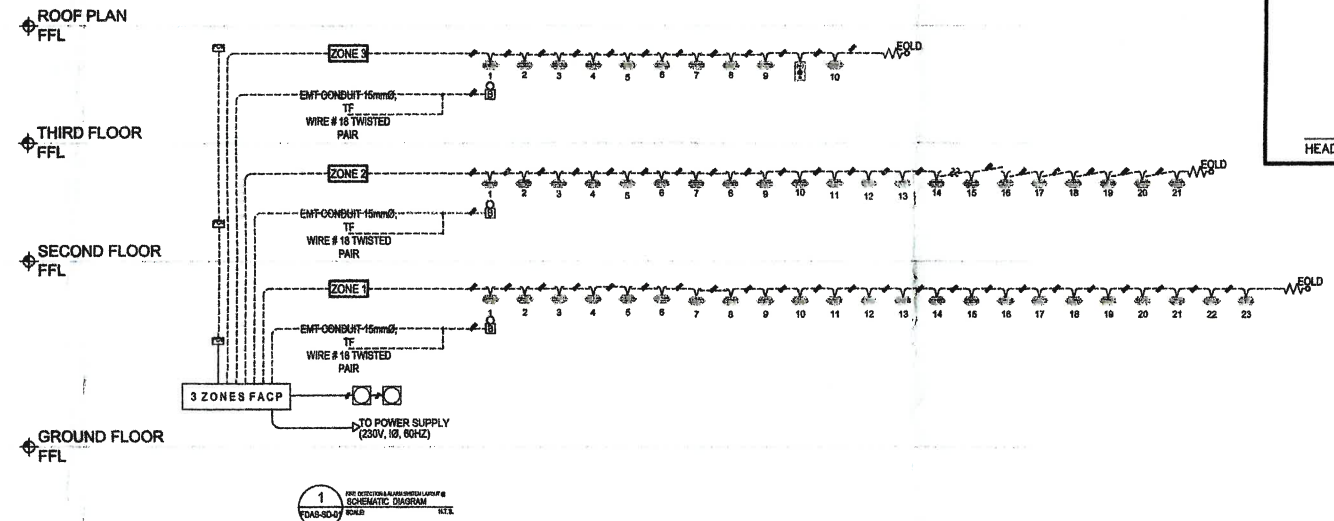
DETECTOR MOUNTING DETAIL ON DROP CEILING WITH CONDUITS EMBEDDED



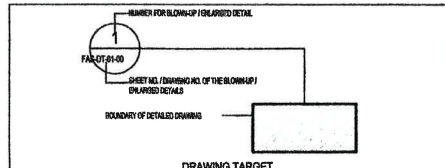
DETECTOR MOUNTING DETAIL WITH CONDUITS EMBEDDED



EVACUATION HORN, MANUAL PUSH STATION, AND FIREMAN'S TEL. JACK MOUNTING DETAIL



| DRAWING INDEX | |
|------------------|--|
| SHEET NO. | CONTENTS |
| GENERAL DRAWINGS | |
| FAS-SH-01 | DRAWING INDEX & TARGET, VICINITY MAP, FIRE ALARM SYSTEM, DETECTOR INSTALLATION DETAILS, LEGEND & SYMBOL, BIPS INSTALLATION DETAILS, SCHEMATIC DIAGRAM & SITE DEVT PLAN |
| FAS-02 | THREE STOREY PLAN FIRE ALARM SYSTEM LAYOUT @ GROUND FLOOR PLAN |
| FAS-03 | THREE STOREY PLAN FIRE ALARM SYSTEM LAYOUT @ SECOND FLOOR PLAN |
| FAS-04 | THREE STOREY PLAN FIRE ALARM SYSTEM LAYOUT @ THIRD FLOOR PLAN |



FROM THE OFFICE OF:
ENGR. VICTOR C. NAVARRO
PROFESSIONAL ELECTRONIC ENGINEER
ADDRESS: PARDO, CEBU CITY

R.A. 9266 (Art. IV, Sec.33)
Drawings and specifications & other contract documents duly signed, stamped or sealed, as instruments of service are intellectual property & documents of the Architect, whether the object for w/c they are made executed or not. It shall be unlawful for any person to duplicate or to make copies of the said documents for the use in the repetition of & for other projects or buildings, whether executed partly or in a whole w/o the written consent of architect or author of said docs.

REG. NO. 0432
DATE: 05-24-2010
PTR NO. 1640868
DATE: 01-04-2019
T I N: 148-728-912

SEAL
PROJECT NO.
REVISION NO.:
DRAWN BY: AMIL
DATE
CHECKED BY

PROJECT TITLE:
PROPOSED:
PROPOSED CONSTRUCTION OF ADMINISTRATION BUILDING
LOCATION: BRGY. COGON, DIPOLOG CITY

APPROVED AS TO PLAN:
OWNER:
ENGR. LOUIE C. JAMORA PAE, MSc
OWNER
ADDRESS: DIPOLOG CITY

SHEET CONTENTS:
GENERAL NOTES
SCHEMATIC LAYOUT PLAN
LEGENDS AND SYMBOLS
DRAWING INDEX
SHEET NO.
FDAS
01
01