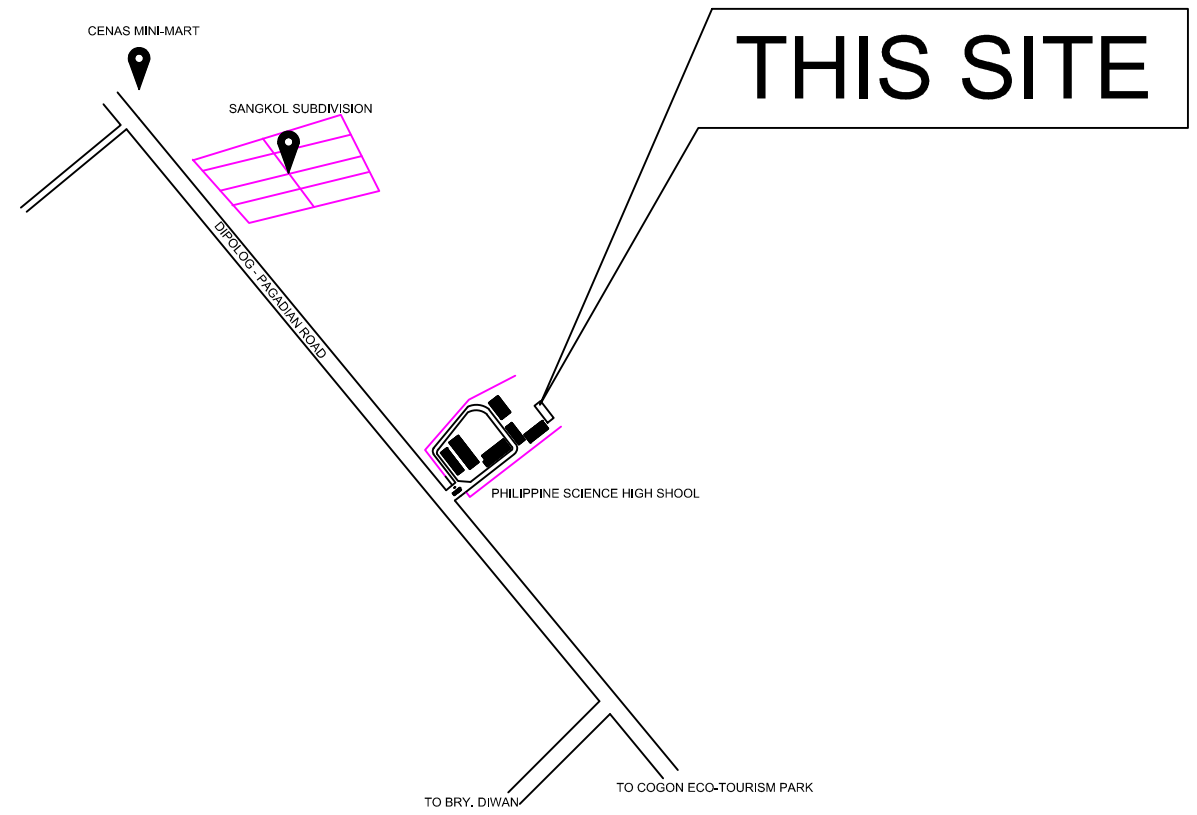


ARCHITECTURAL PLAN



3 LOCATION PLAN
AR-1 NOT TO SCALE

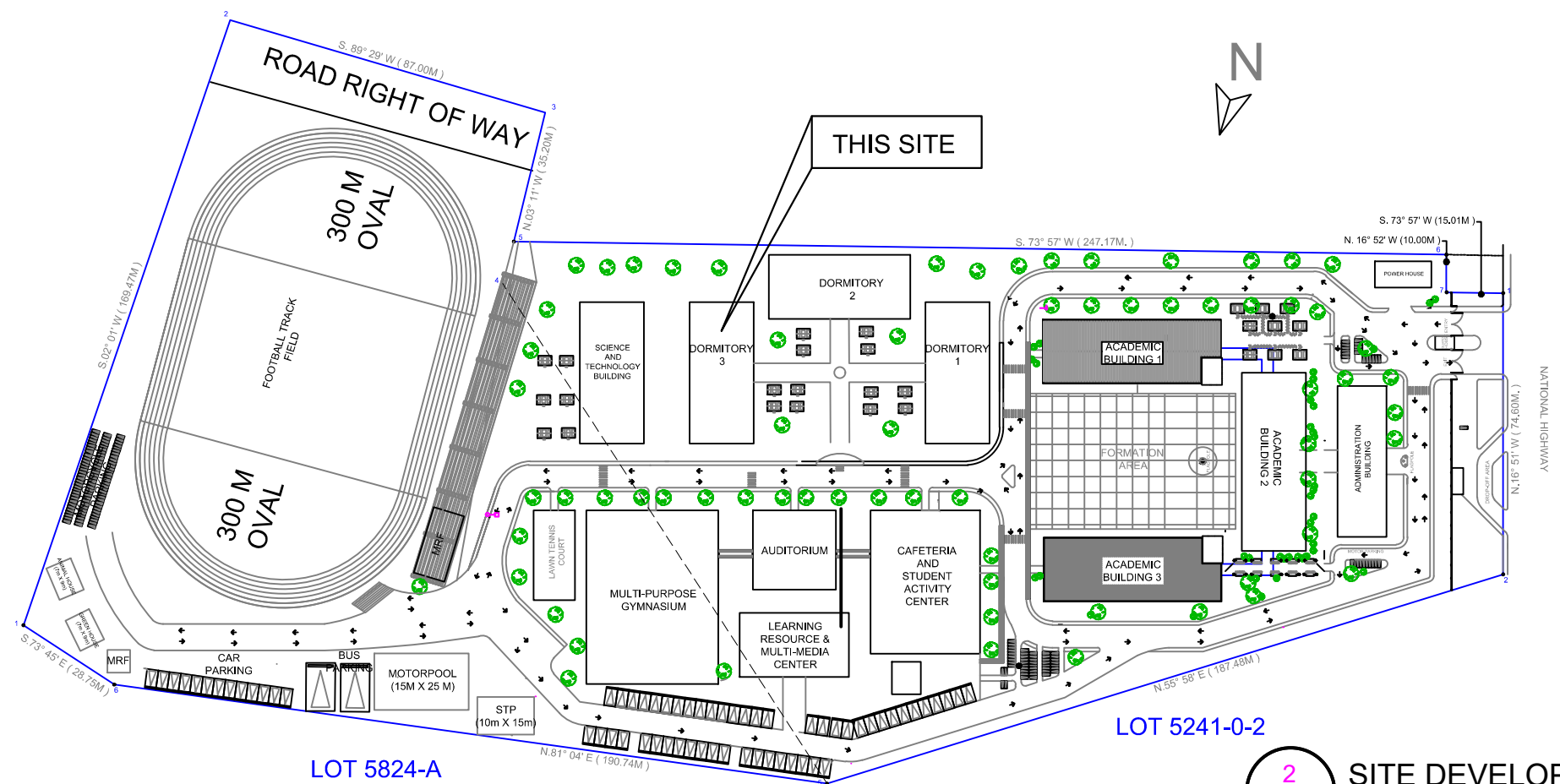
1 PERSPECTIVE
AR-1 NOT TO SCALE

TECHNICAL DESCRIPTION
LOT 5824-A
AREA = 22,385 SQ.MTS.

LINE	BEARING	DISTANCE
1-2	S 02° 01' W	159.49 m
2-3	S 89° 29' W	86.99 m
3-4	N 03° 12' W	61.56 m
4-5	N 53° 56' W	148.01 m
5-6	N 81° 04' E	190.74 m
6-1	S 73° 45' E	28.75 m

TECHNICAL DESCRIPTION
LOT 5241-0-2
AREA = 27,615 SQ.MTS.

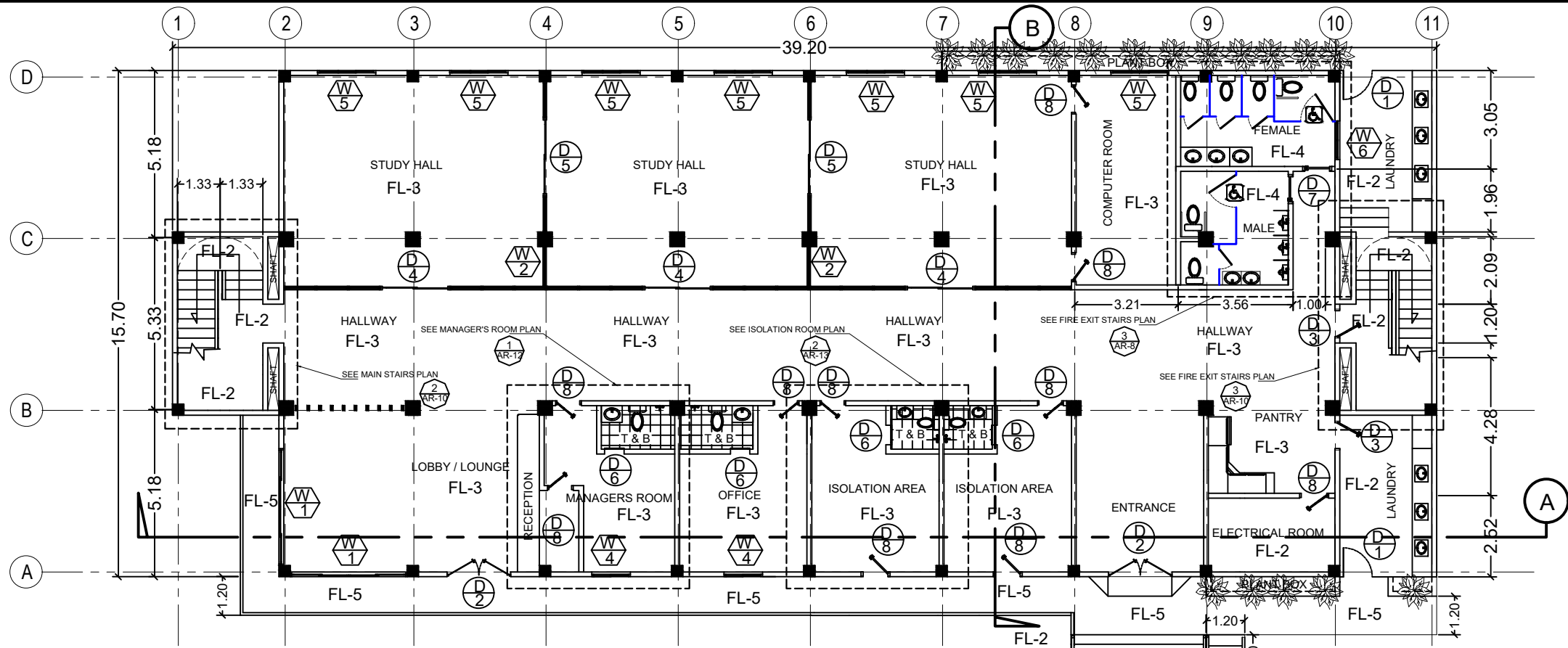
LINE	BEARING	DISTANCE
1-2	N 16° 51' W	74.60 m
2-3	N 55° 58' E	187.48 m
3-4	S 53° 56' E	148.01 m
4-5	S 03° 13' E	26.34 m
5-6	S 73° 57' W	247.17 m
6-7	N 16° 52' W	10.00 m
7-1	S 73° 57' W	15.01 m



LOT 5241-0-2

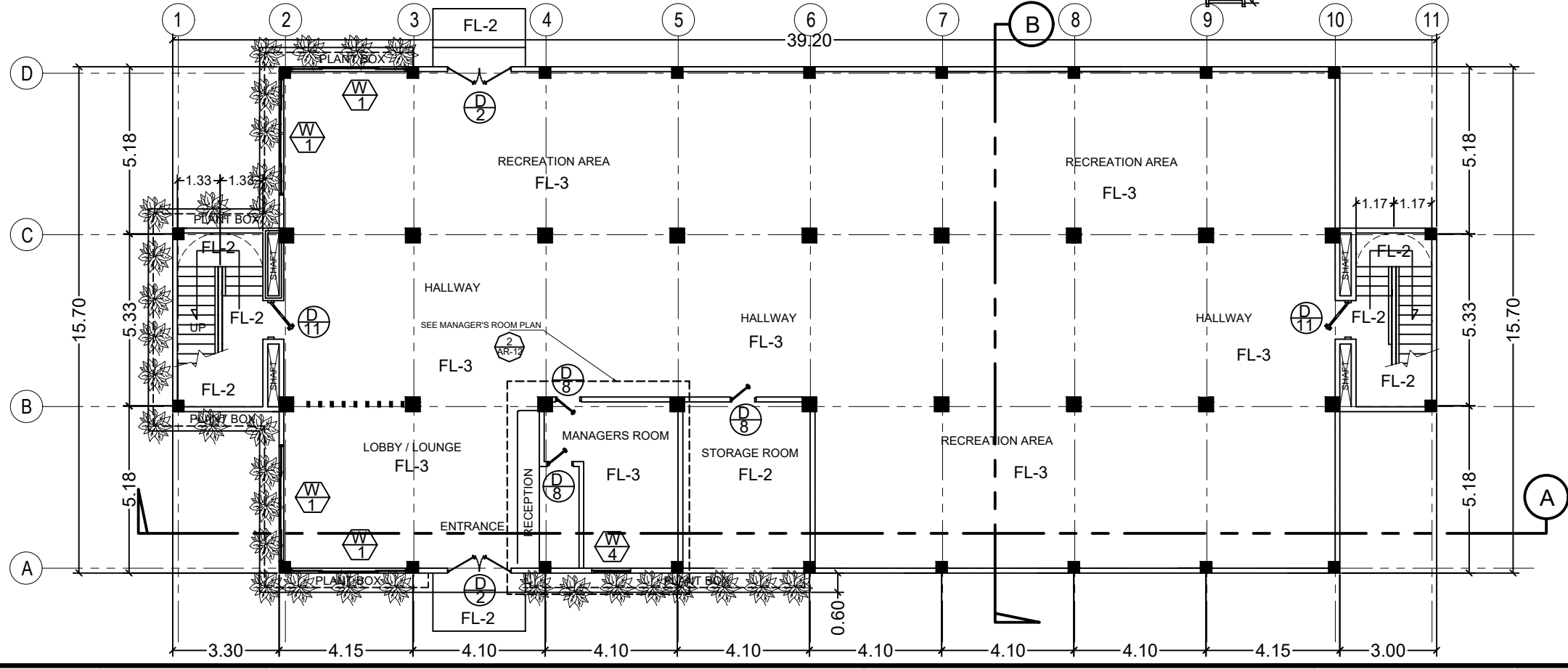
LOT 5824-A

2 SITE DEVELOPMENT PLAN
AR-1 NOT TO SCALE



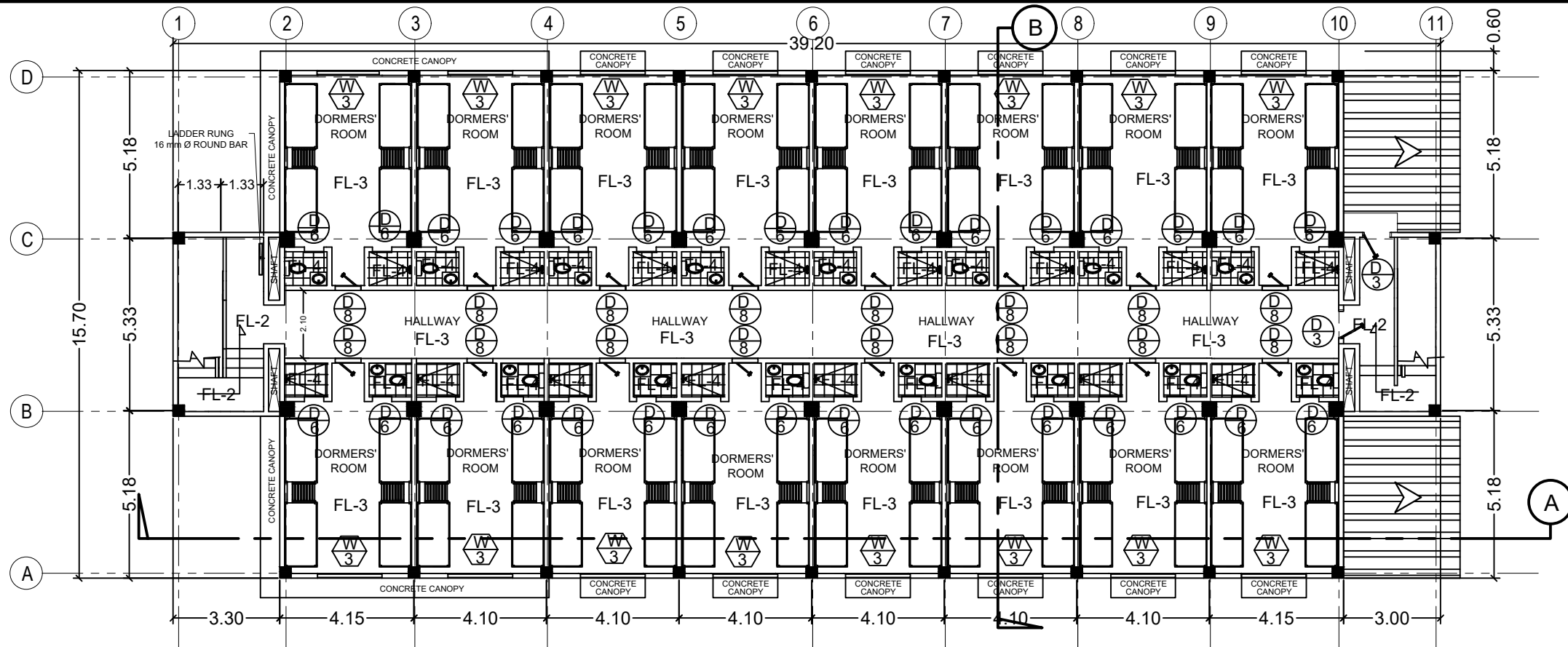
2 UPPER GROUND FLOOR PLAN
SCALE 1:100
AR-2

SCHEDULE OF FLOOR & FINISHES		
MARK	DESCRIPTION	REMARKS
FL-1	PLAIN CEMENT FLOOR FINISH WITH GROOVES	
FL-2	PLAIN CEMENT FLOOR SMOOTH FINISHED	
FL-3	600 X 600mm PORCELAIN FLOOR TILES FINISH	MARIWASA OR APPROVED EQUAL
FL-4	300 X 300 mm NON-SKID PORCELAIN FLOOR TILES FINISH	MARIWASA OR APPROVED EQUAL
FL-5	600 X 600mm SAND BEIGES VITRIFIED CERAMIC OUTDOOR FLOOR TILES FINISH	MARIWASA OR APPROVED EQUAL



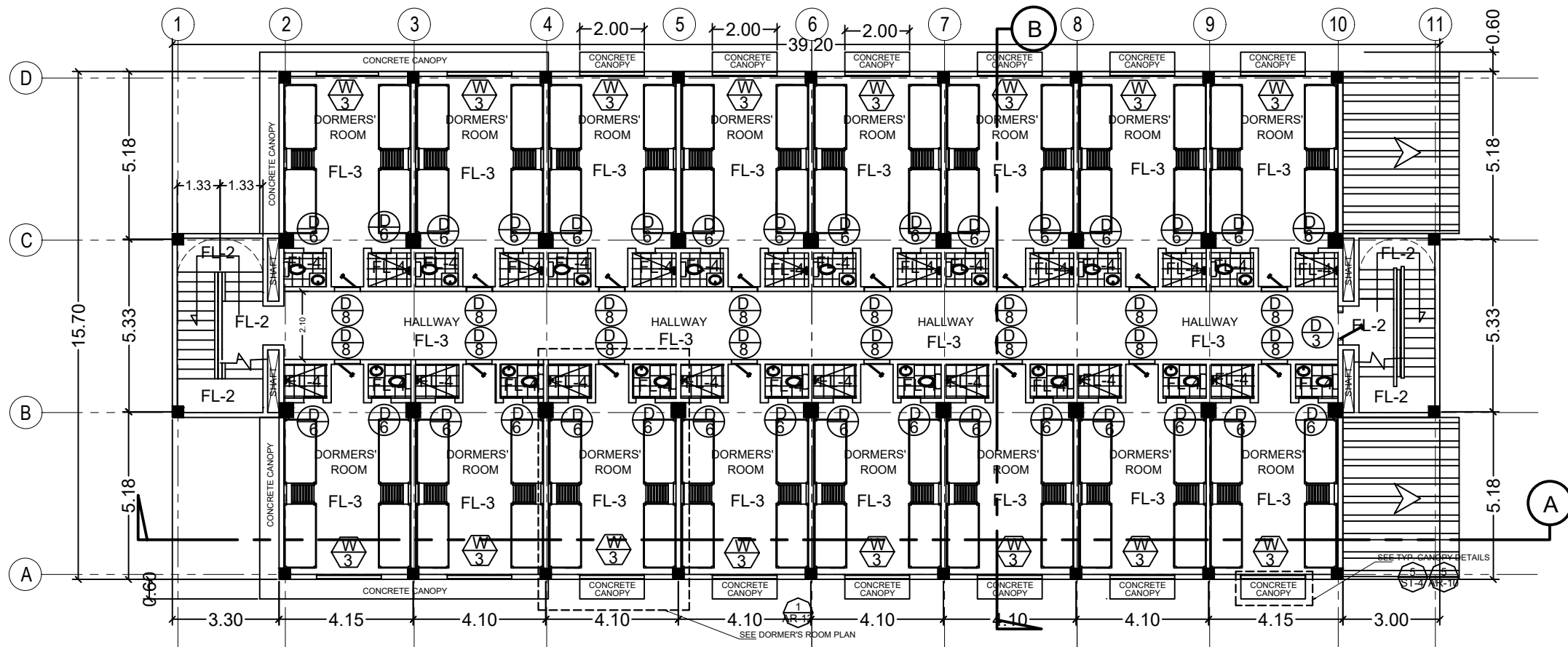
1 LOWER GROUND FLOOR PLAN
SCALE 1:100
AR-2

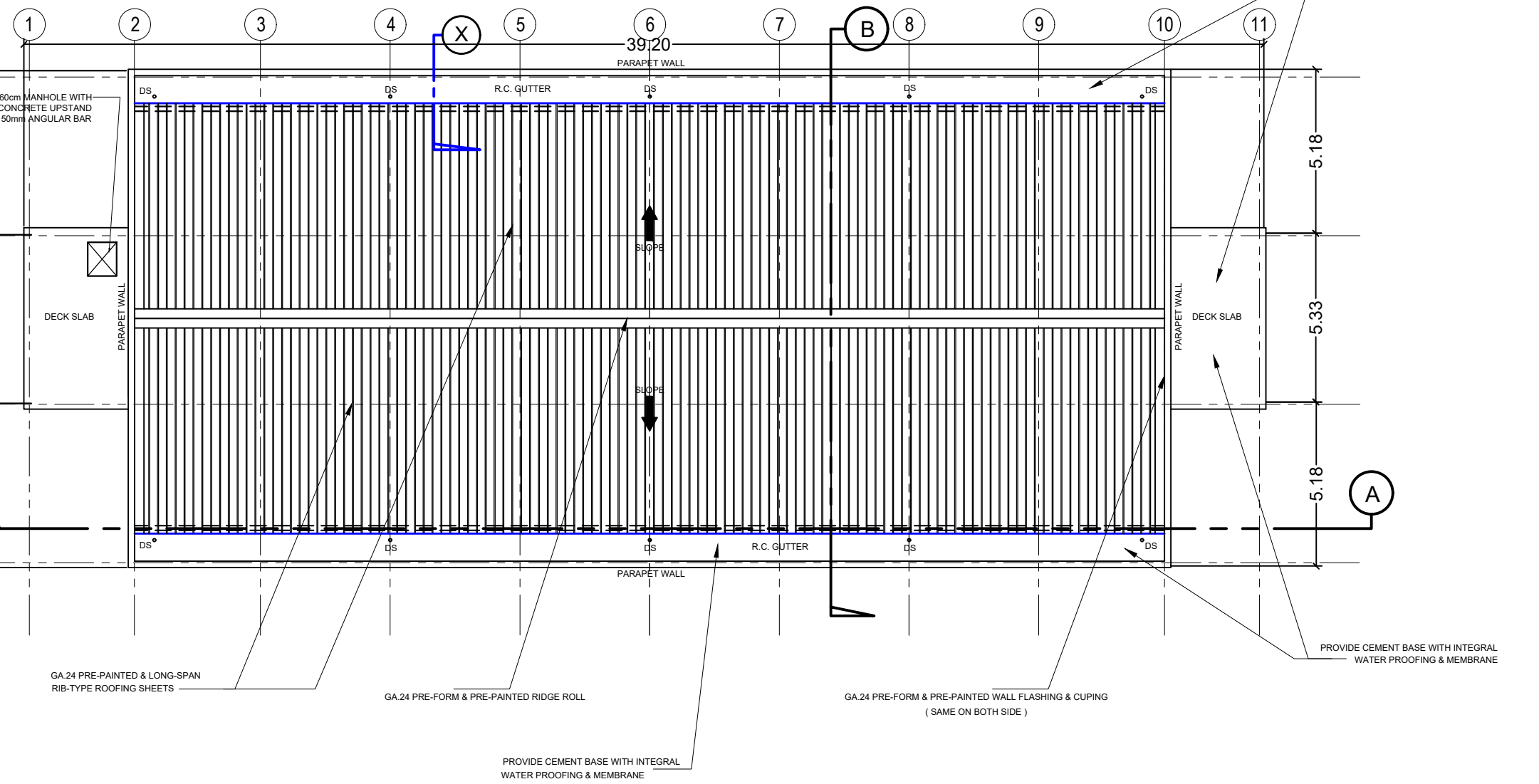
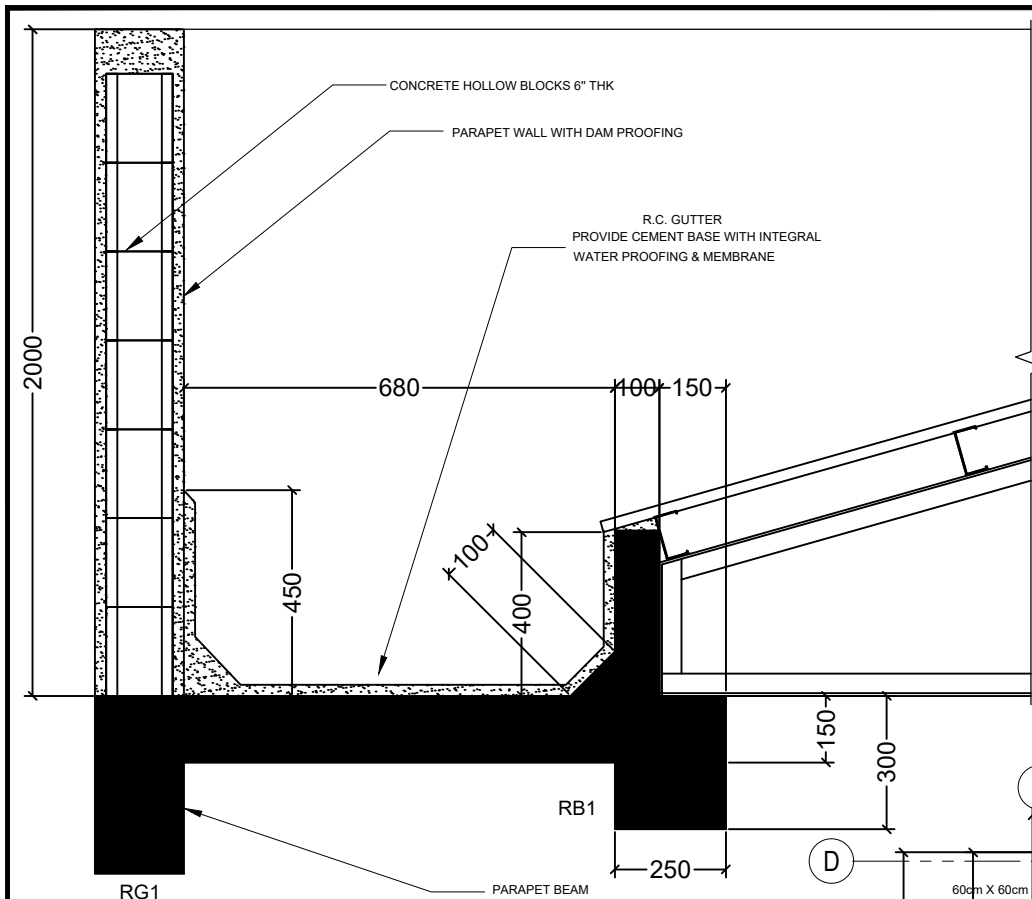
2 THIRD FLOOR PLAN
 AR-3 SCALE 1:100 M.



SCHEDULE OF FLOOR & FINISHES		
MARK	DESCRIPTION	REMARKS
FL-1	PLAIN CEMENT FLOOR FINISH WITH GROOVES	
FL-2	PLAIN CEMENT FLOOR SMOOTH FINISHED	
FL-3	600 X 600mm PORCELAIN FLOOR TILES FINISH	MARIWASA OR APPROVED EQUAL
FL-4	300 X 300 mm NON-SKID PORCELAIN FLOOR TILES FINISH	MARIWASA OR APPROVED EQUAL
FL-5	600 X 600mm SAND BEIGES VITRIFIED CERAMIC OUTDOOR FLOOR TILES FINISH	MARIWASA OR APPROVED EQUAL

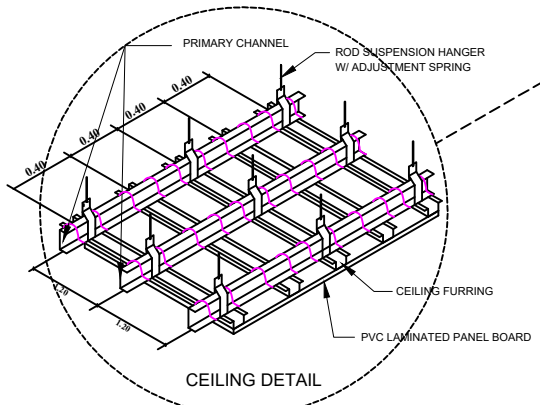
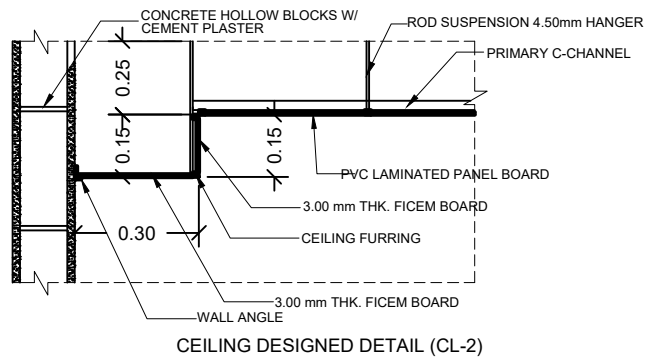
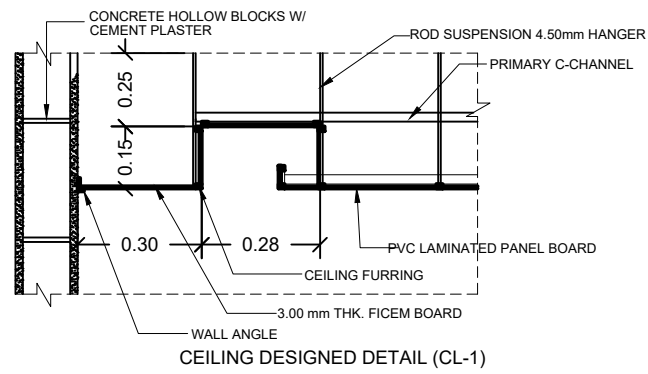
1 SECOND FLOOR PLAN
 AR-3 SCALE 1:100 M.



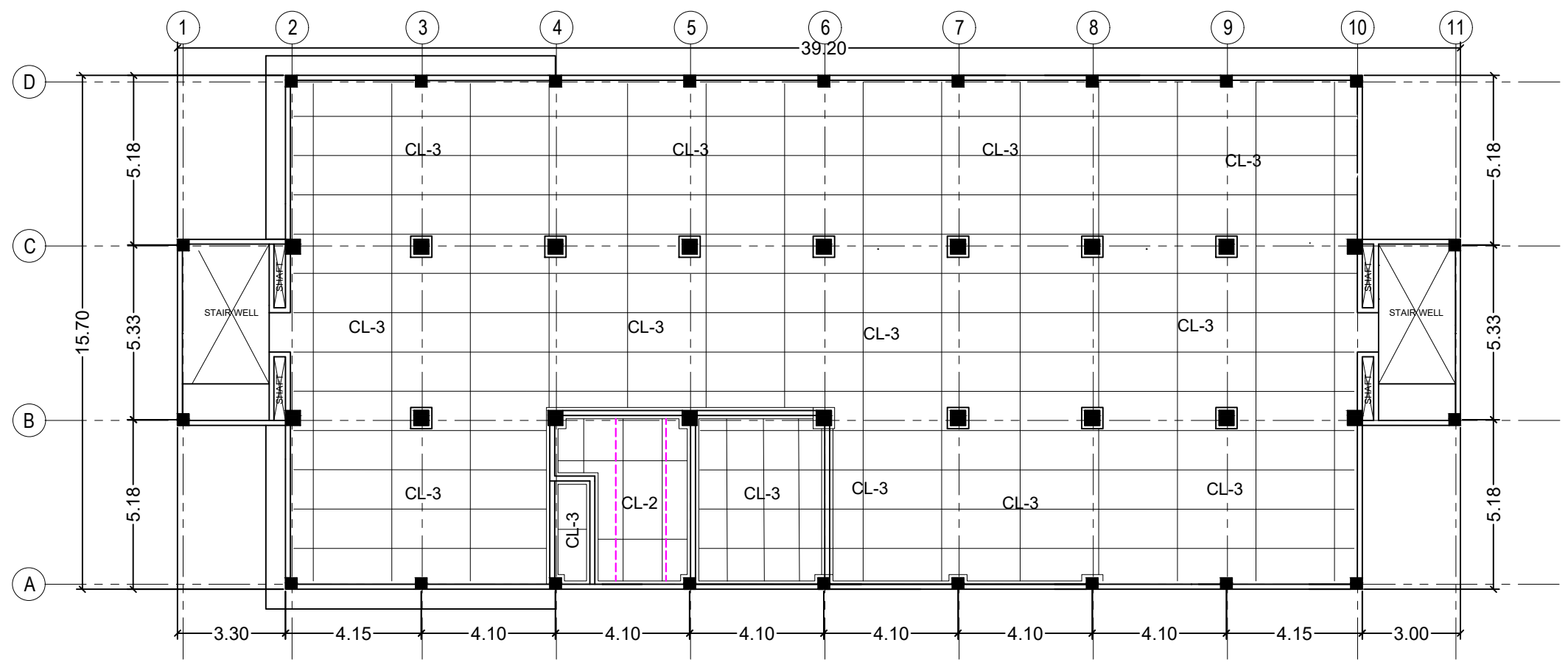
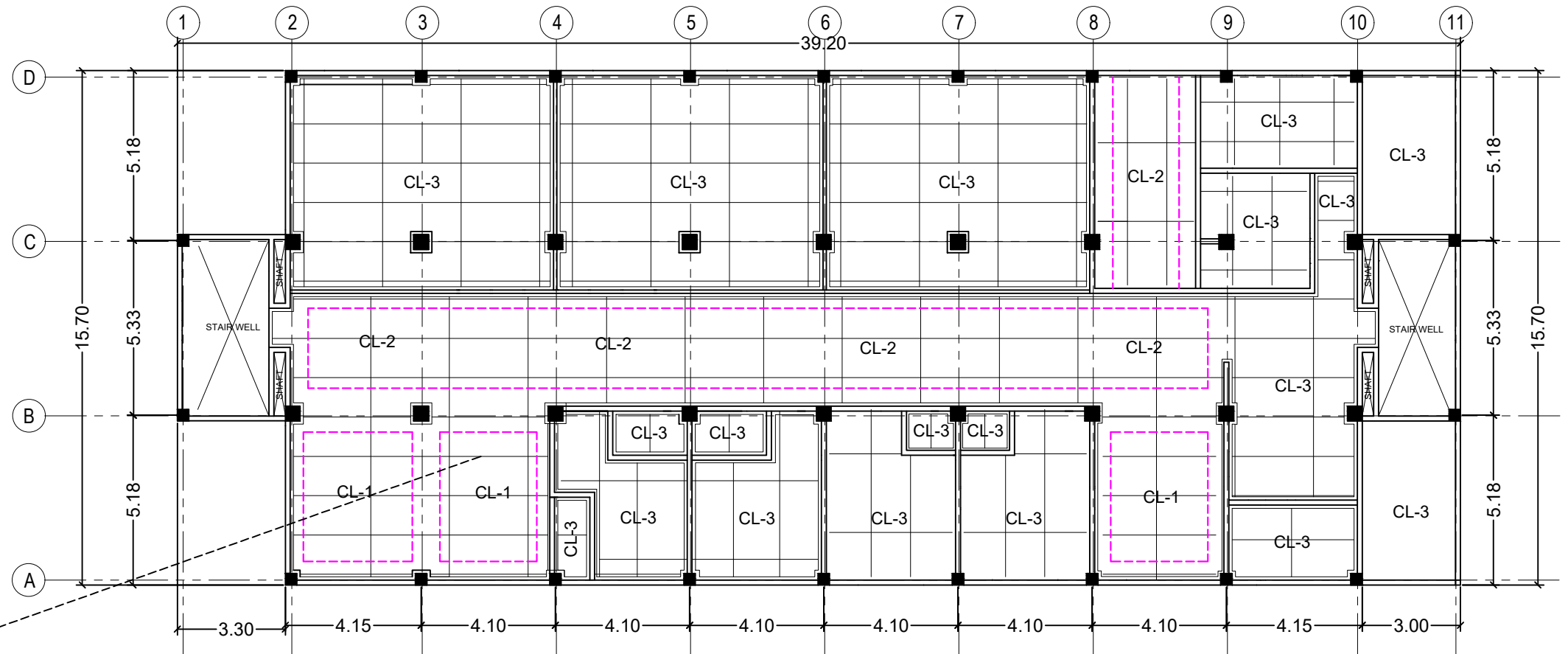


2 SECTION - X (SAME ON BOTH SIDE)
SCALE 1:100 M.

1 ROOF PLAN
SCALE 1:100 M.

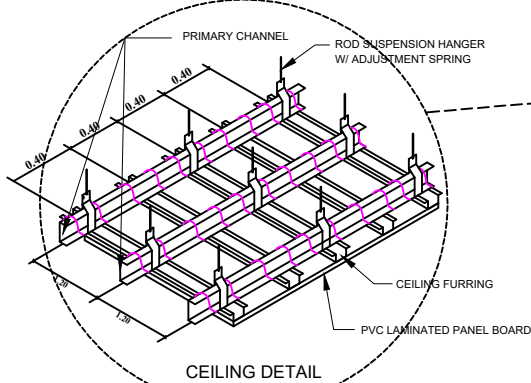
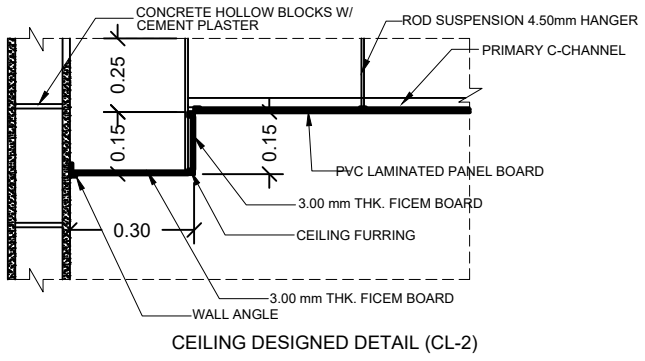
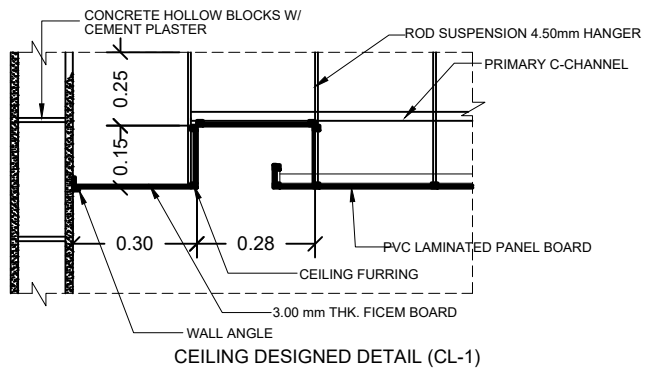


SCHEDULE OF CEILING & FINISHES		
MARK	DESCRIPTION	REMARKS
CL-1	3mm THK. FICEM BOARD WITH PAINTED FINISH ON METAL FURRING DOUBLE CHANNEL CEILING JOIST (DESIGNED AS SHOWN IN DETAILS)	HARDIELITE OR APPROVED EQUAL
CL-2	3mm THK. FICEM BOARD WITH PAINTED FINISH ON METAL FURRING DOUBLE CHANNEL CEILING JOIST (DESIGNED AS SHOWN IN DETAILS)	HARDIELITE OR APPROVED EQUAL
CL-3	3mm THK. FICEM BOARD WITH PAINTED FINISH ON METAL FURRING DOUBLE CHANNEL CEILING JOIST (PLANE CEILING)	HARDIELITE OR APPROVED EQUAL

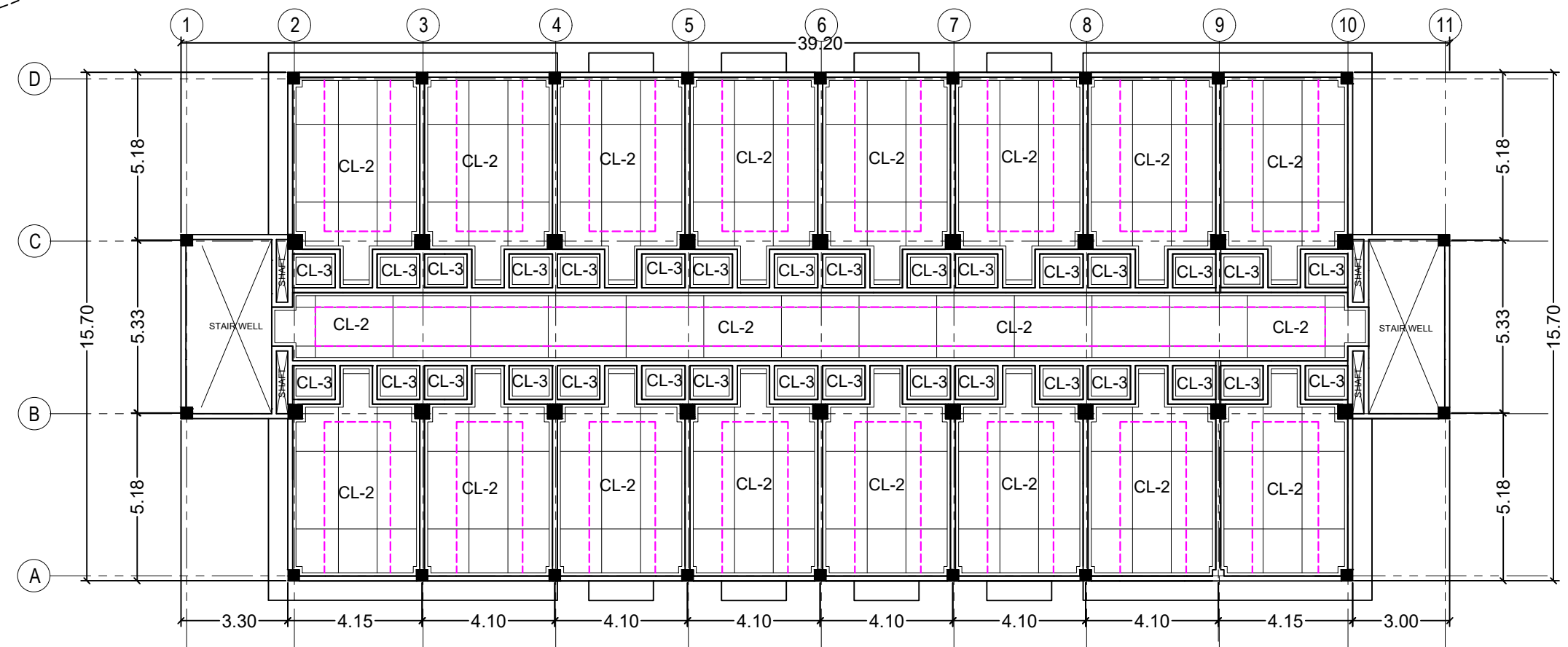
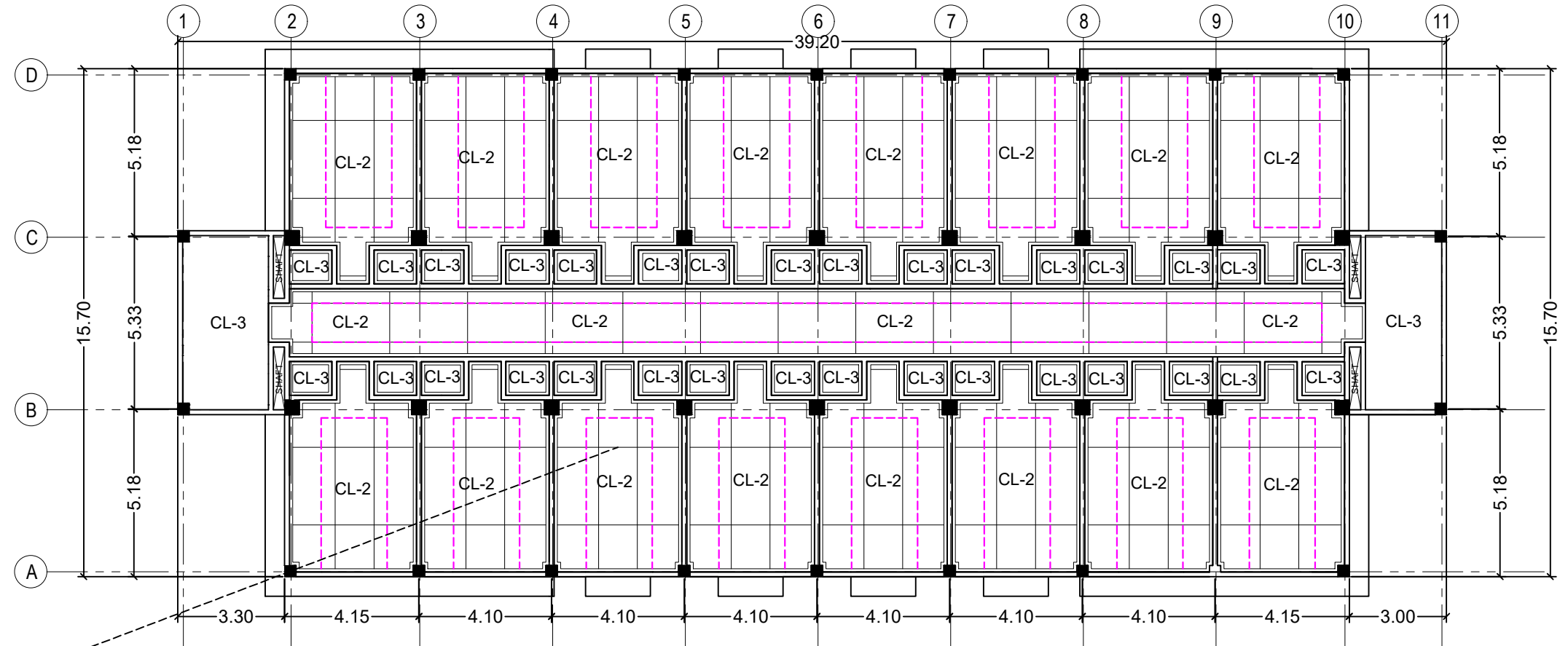


2 UPPER GROUND REFLECTED CEILING PLAN
SCALE 1:100

1 LOWER GROUND REFLECTED CEILING PLAN
SCALE 1:100

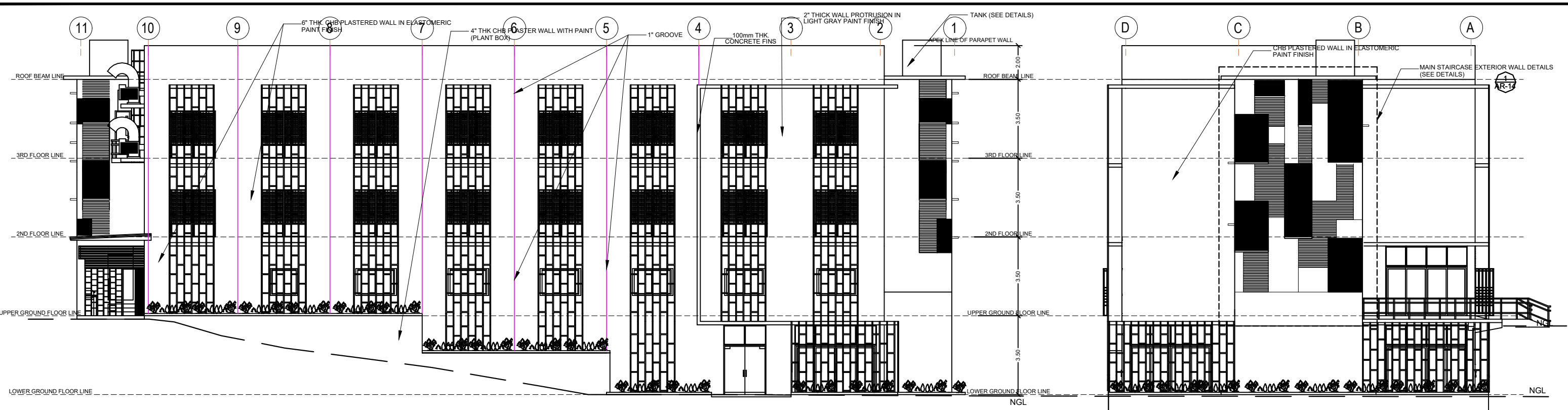


SCHEDULE OF CEILING & FINISHES		
MARK	DESCRIPTION	REMARKS
CL-1	3mm THK. FICEM BOARD WITH PAINTED FINISH ON METAL FURRING DOUBLE CHANNEL CEILING JOIST (DESIGNED AS SHOWN IN DETAILS)	HARDIELITE OR APPROVED EQUAL
CL-2	3mm THK. FICEM BOARD WITH PAINTED FINISH ON METAL FURRING DOUBLE CHANNEL CEILING JOIST (DESIGNED AS SHOWN IN DETAILS)	HARDIELITE OR APPROVED EQUAL
CL-3	3mm THK. FICEM BOARD WITH PAINTED FINISH ON METAL FURRING DOUBLE CHANNEL CEILING JOIST (PLANE CEILING)	HARDIELITE OR APPROVED EQUAL



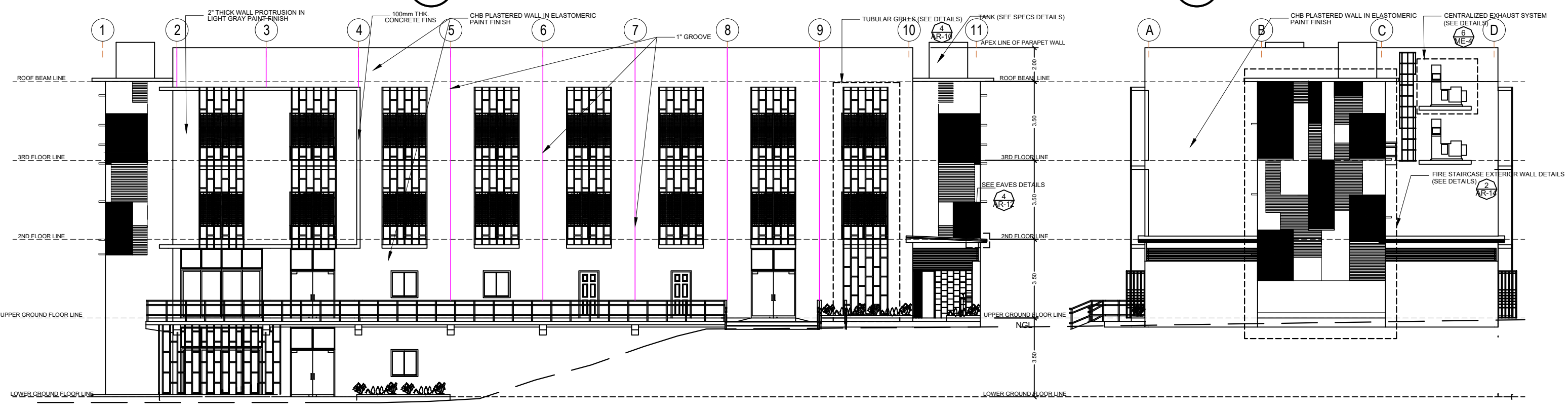
2 THIRD FLOOR REFLECTED CEILING PLAN
SCALE 1:100

1 SECOND FLOOR REFLECTED CEILING PLAN
SCALE 1:100



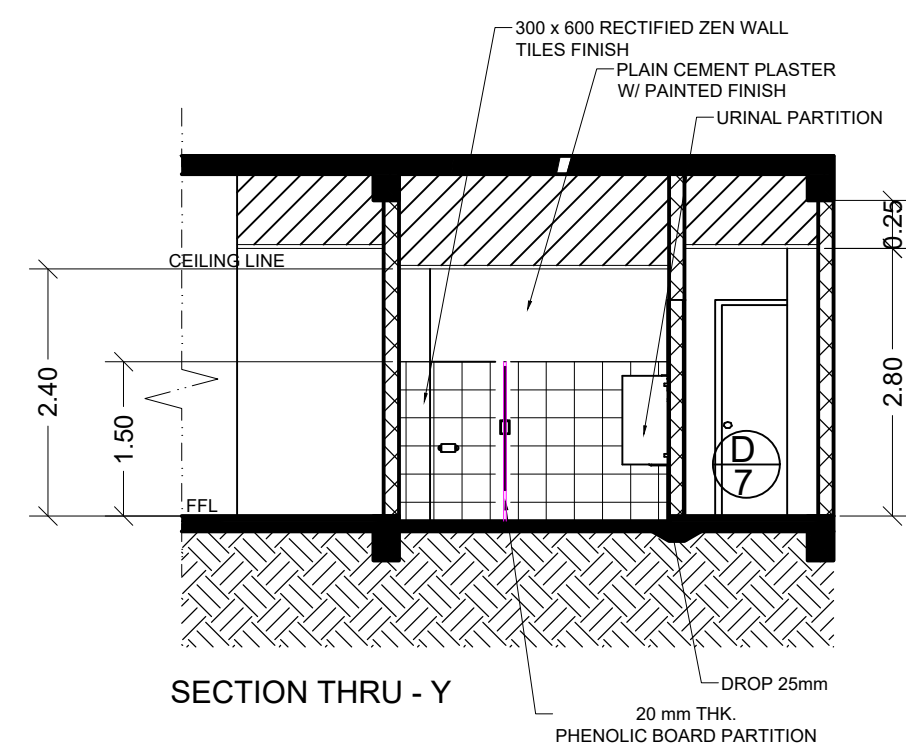
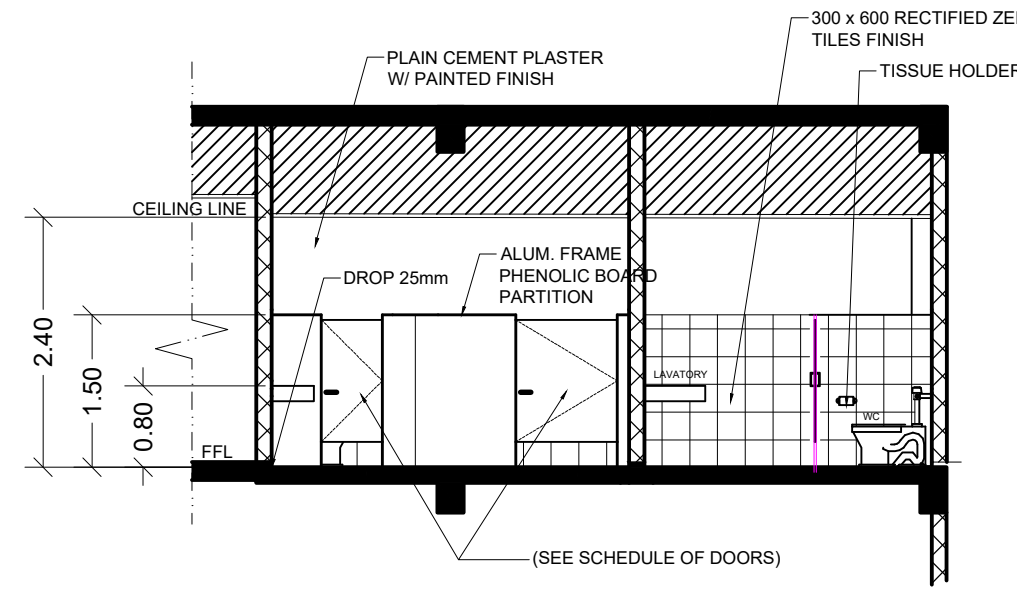
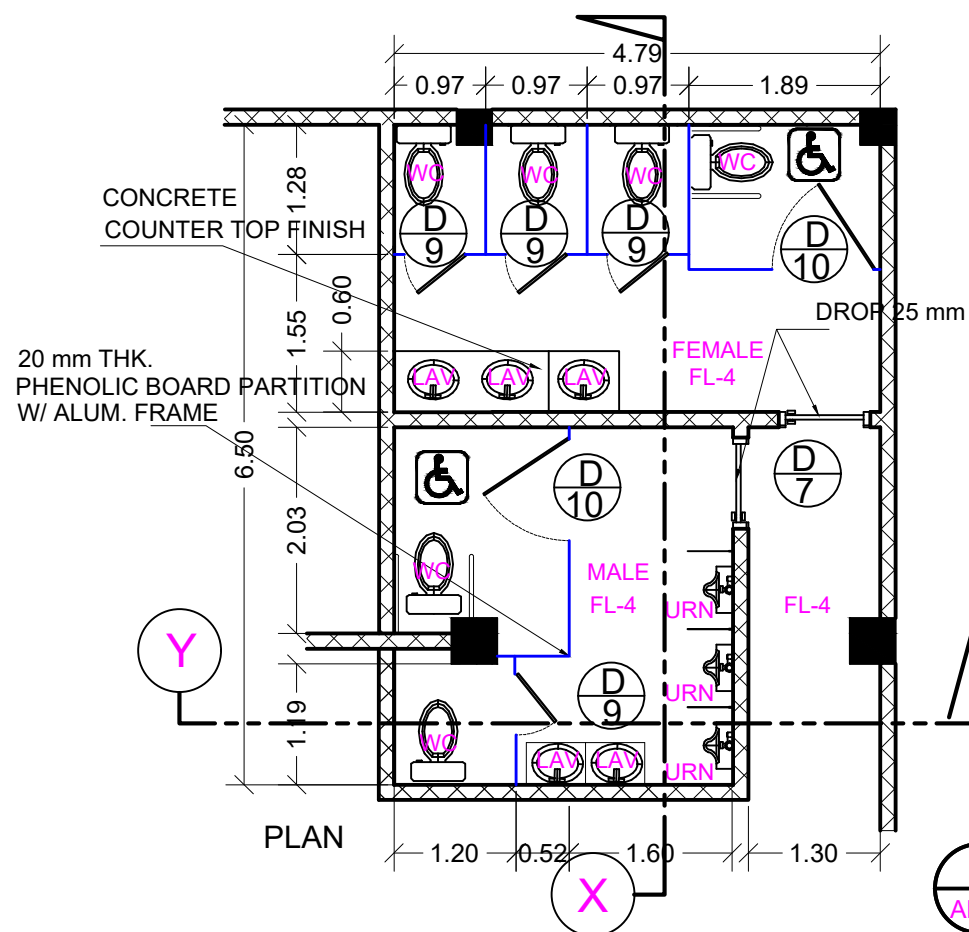
3 REAR ELEVATION
 SCALE 1:100 M.
 AR-7

4 LEFT SIDE ELEVATION
 SCALE 1:100 M.
 AR-7



1 FRONT ELEVATION
 SCALE 1:100 M.
 AR-7

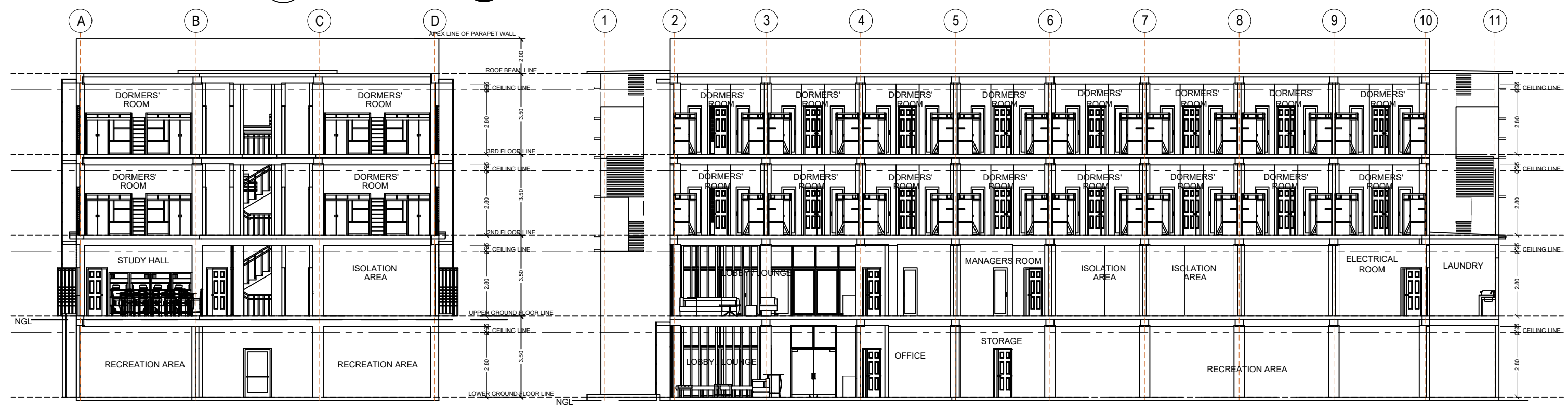
2 RIGHT SIDE ELEVATION
 SCALE 1:100 M.
 AR-7



SECTION THRU - X

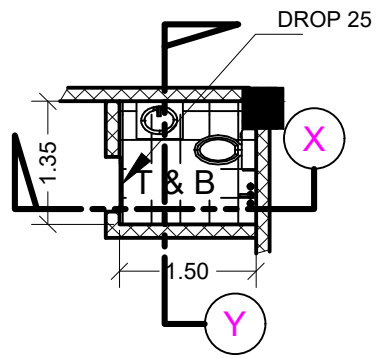
SECTION THRU - Y

3 TYPICAL DETAIL OF STAFF COMFORT ROOM @ UPPER GROUND FLOOR
SCALE 1:50 M.

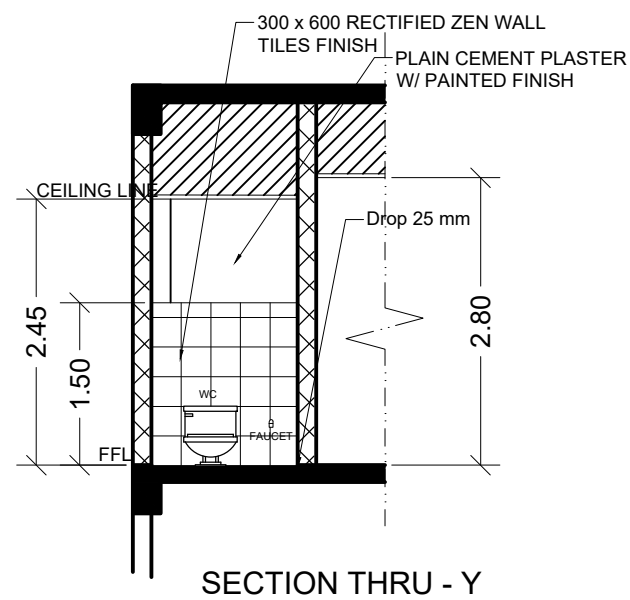


2 CROSS SECTION THRU - B
SCALE 1:100 M.

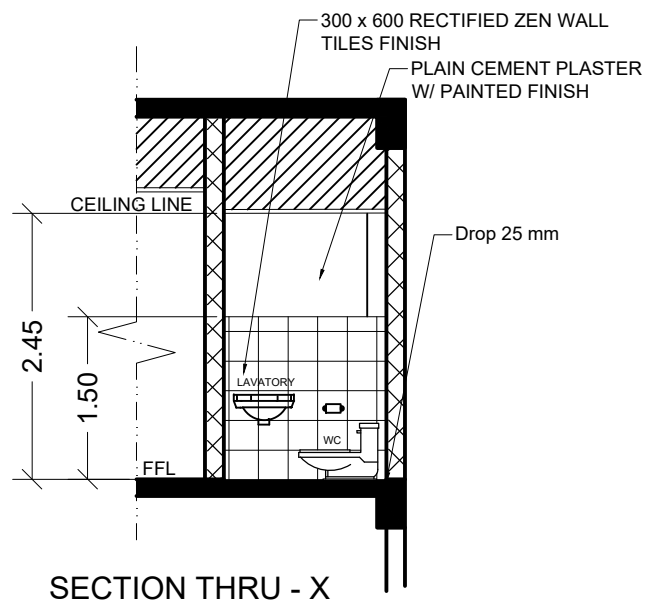
1 LONGITUDINAL SECTION THRU - A
SCALE 1:100 M.



PLAN

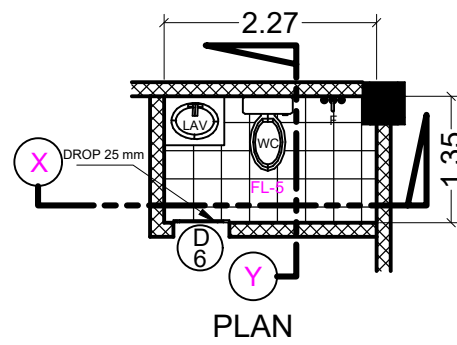


SECTION THRU - Y

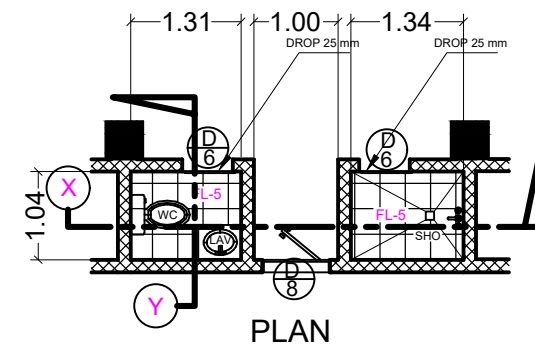


SECTION THRU - X

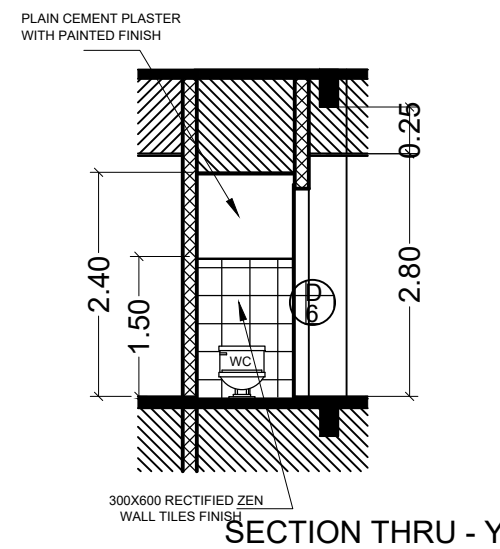
1 TYPICAL DETAIL OF ISOLATION AREA TOILET & BATH
SCALE 1:50 M.



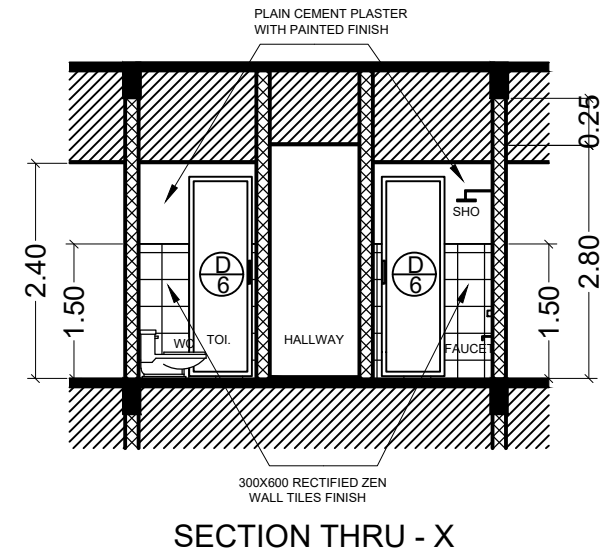
PLAN



PLAN

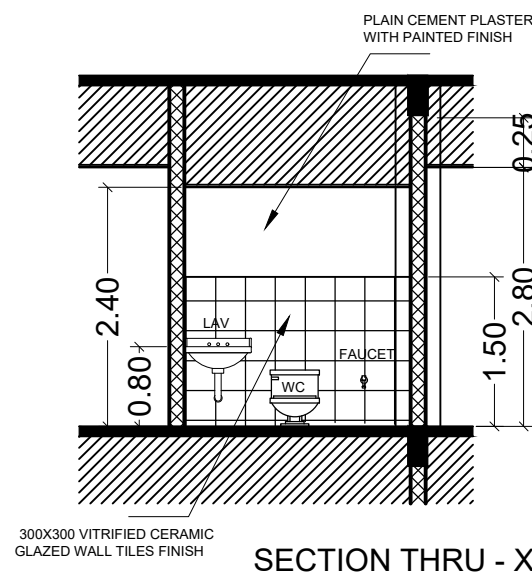


SECTION THRU - Y

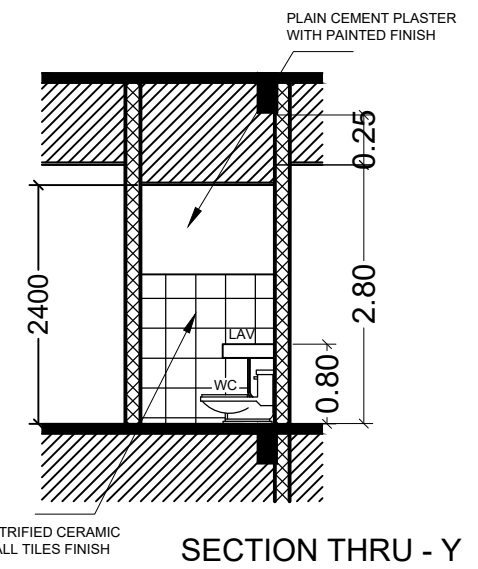


SECTION THRU - X

2 TYPICAL DETAIL OF DORMER'S TOILET & BATH
SCALE 1:50 M.

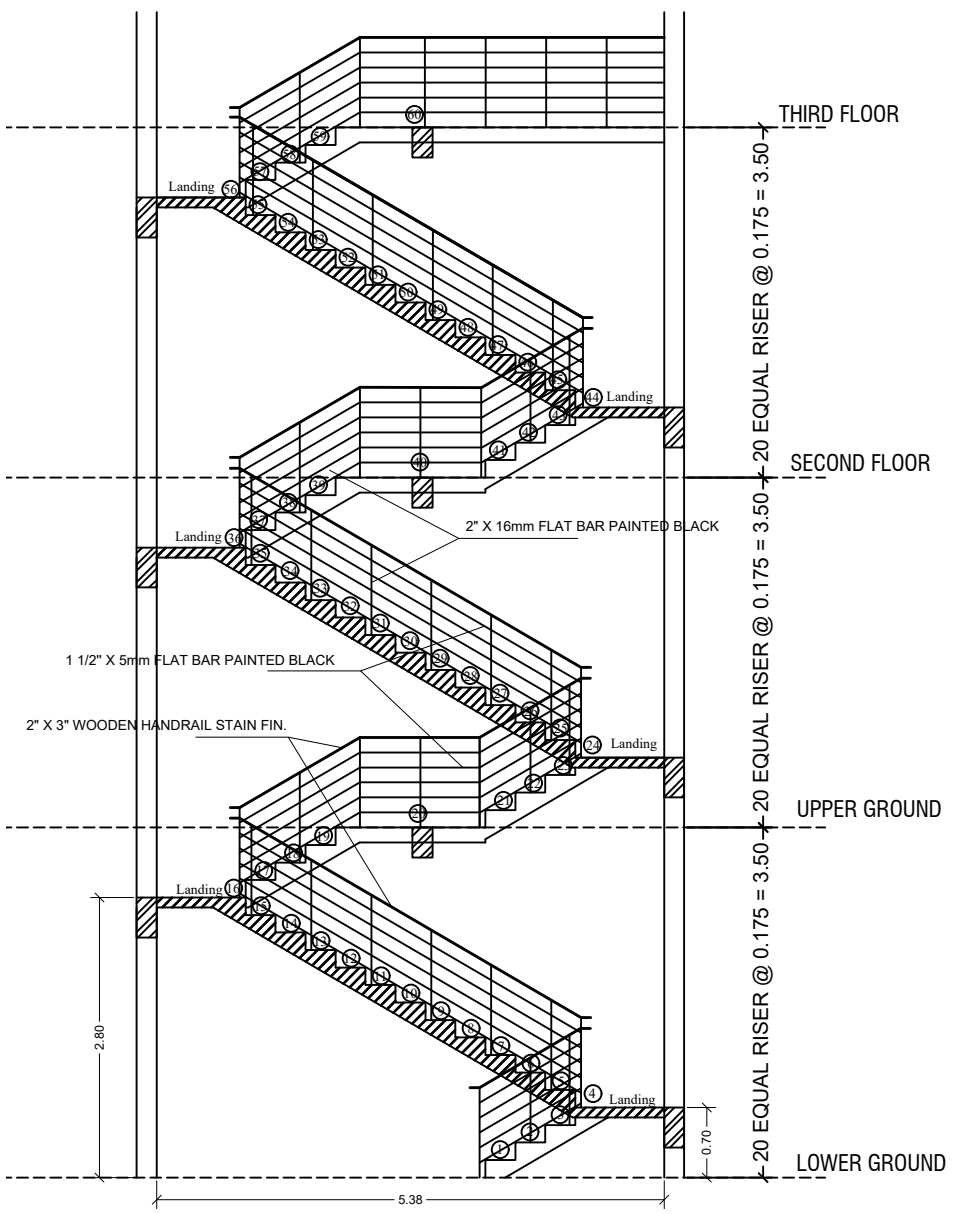


SECTION THRU - X

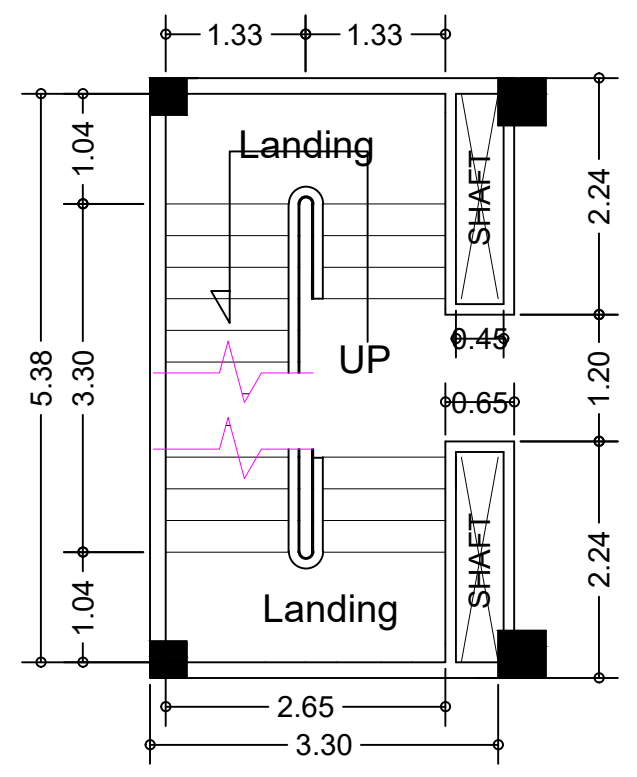


SECTION THRU - Y

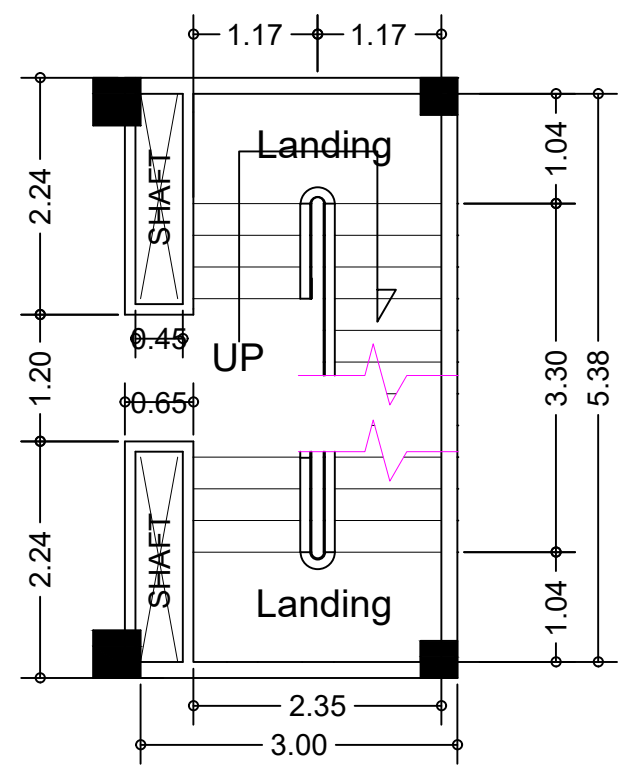
3 TYPICAL DETAIL OF MANAGER'S TOILET & BATH
SCALE 1:50 M.



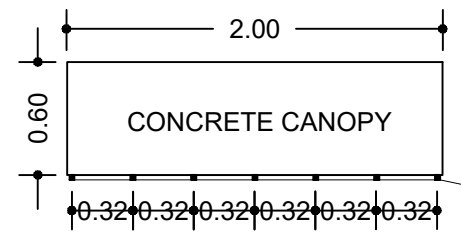
1 TYPICAL DETAIL OF STAIR
SCALE: AR-10 NDTS



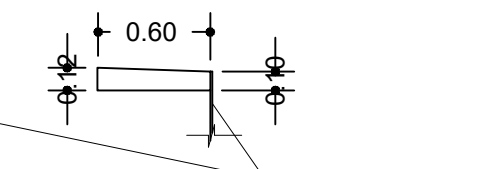
2 MAIN STAIRS PLAN
SCALE: AR-10 NDTS



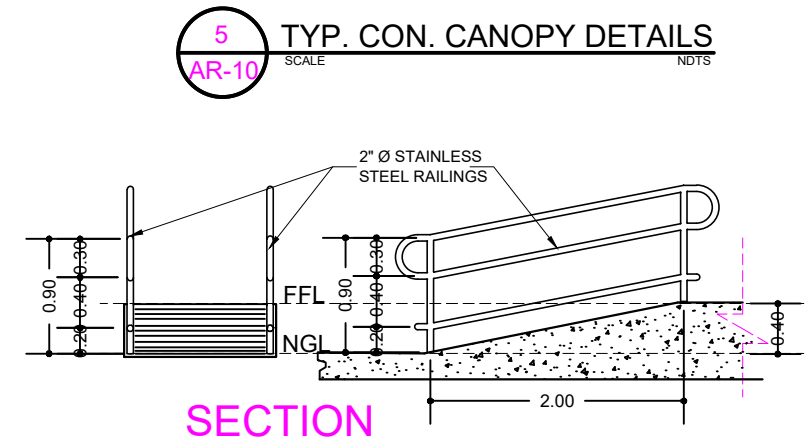
3 FIRE EXIT STAIRS PLAN
SCALE: AR-10 NDTS



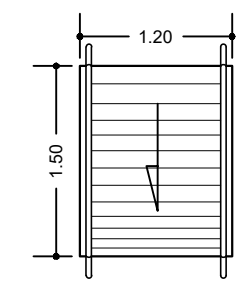
PLAN



SECTION

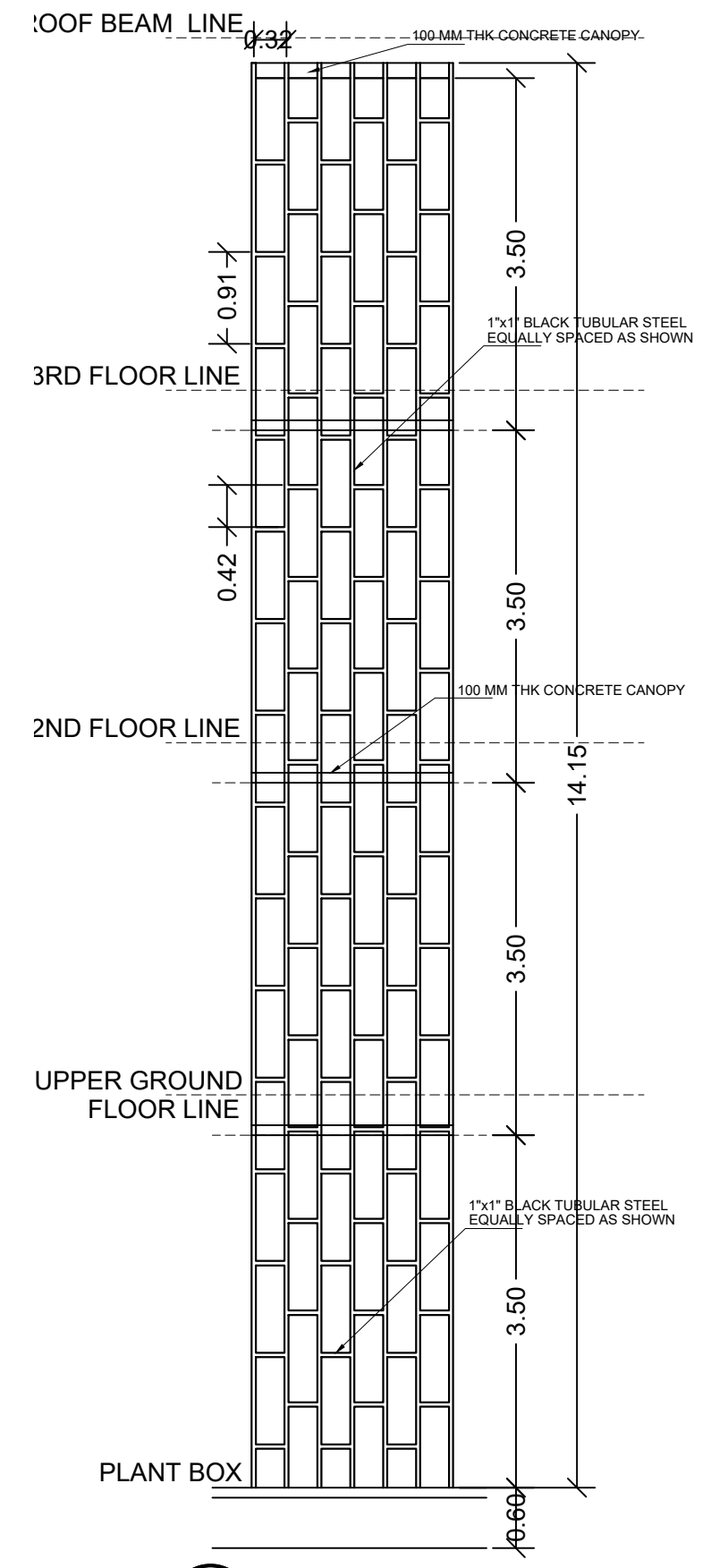


SECTION

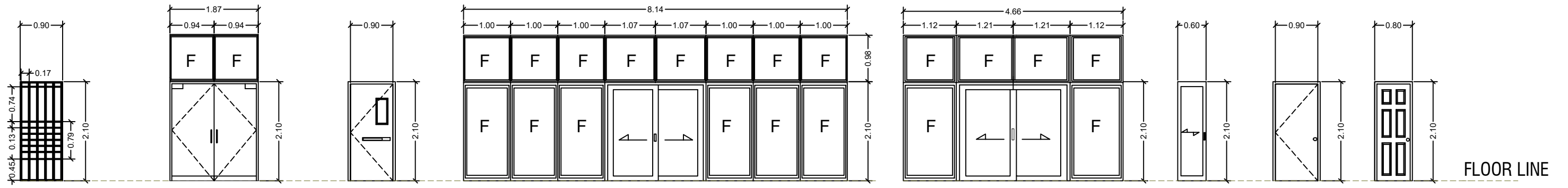


PLAN

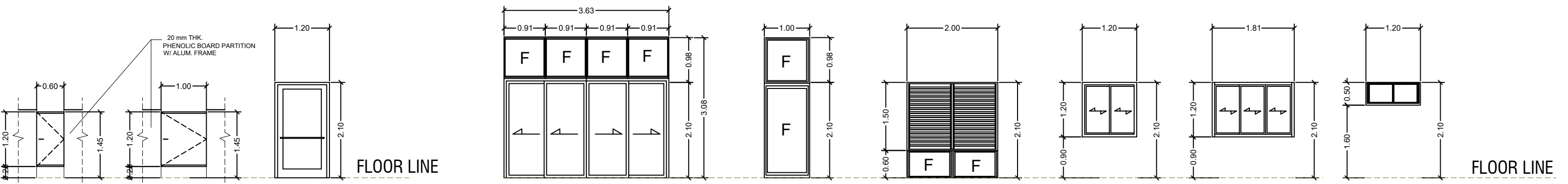
6 TYP. RAMP DETAILS
SCALE: AR-10 NDTS



4 TUBULAR GRILLS DETAILS
SCALE: AR-10 NDTS



D-1 QTY: 2 units D-2 QTY: 3 units D-3 QTY: 4 units D-4 QTY: 3 units D-5 QTY: 2 units D-6 QTY: 68 units D-7 QTY: 2 units D-8 QTY: 44 units

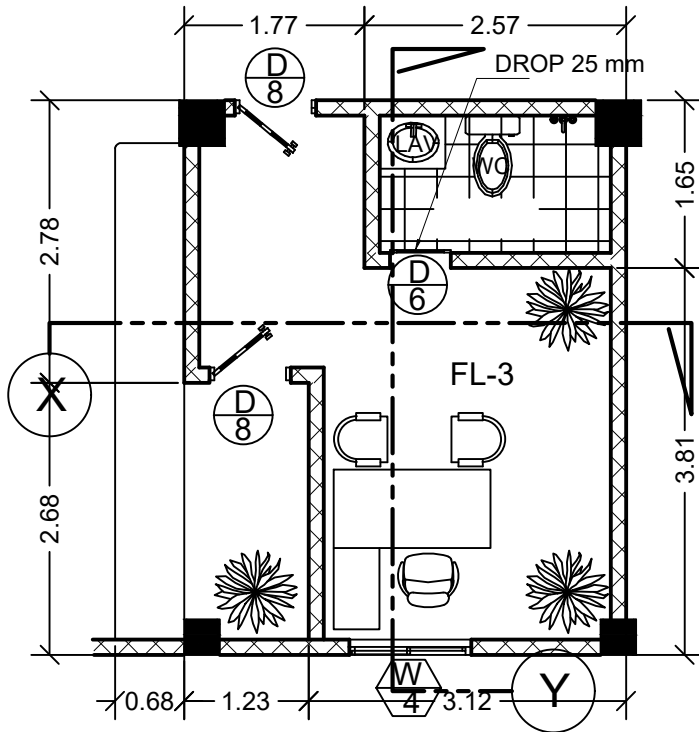


D-9 QTY: 4 units D-10 QTY: 2 units D-11 QTY: 2 units W-1 QTY: 6 units W-2 QTY: 2 units W-3 QTY: 32 units W-4 QTY: 3 units W-5 QTY: 7 units W-6 QTY: 1 unit

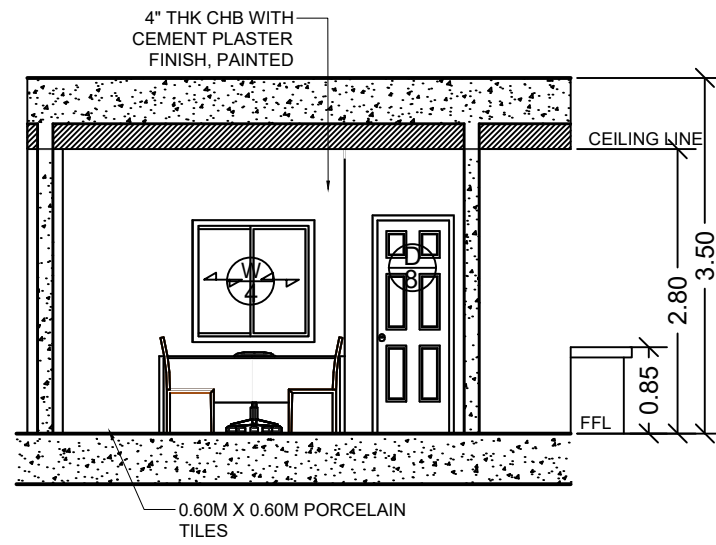
LEGEND:

DOORS	
D-1	TUBULAR STEEL 25mm X 25mm
D-2	6mm THK DOUBLE SWING TEMPERED GLASS DOOR WITH ALUM. FRAME
D-3	3mm THK STEEL DOOR W/ 20 cm X 40 cm OBSERVATION GLASS
D-4	6mm THK TEMPERED SLIDING GLASS DOOR W/ 6mm THK FIXED CLEAR GLASS ON ALUM. ANALOC TUBULAR FRAME
D-5	6mm THK TEMPERED SLIDING GLASS DOOR W/ 6mm THK FIXED CLEAR GLASS ON ALUM. ANALOC TUBULAR FRAME
D-6	ALUM. FRAME SLIDING SMOKE GLASS DOOR
D-7	SINGLE SWING PVC DOOR
D-8	SINGLE SWING WOODEN PANEL DOOR WITH 2" X 6" WOODEN DOOR JAMB
D-9	PHENOLIC BOARD DOOR
D-10	PHENOLIC BOARD DOOR
D-11	SINGLE SWING TEMPERED GLASS DOOR WITH TUBULAR STAINLESS STEEL FRAME

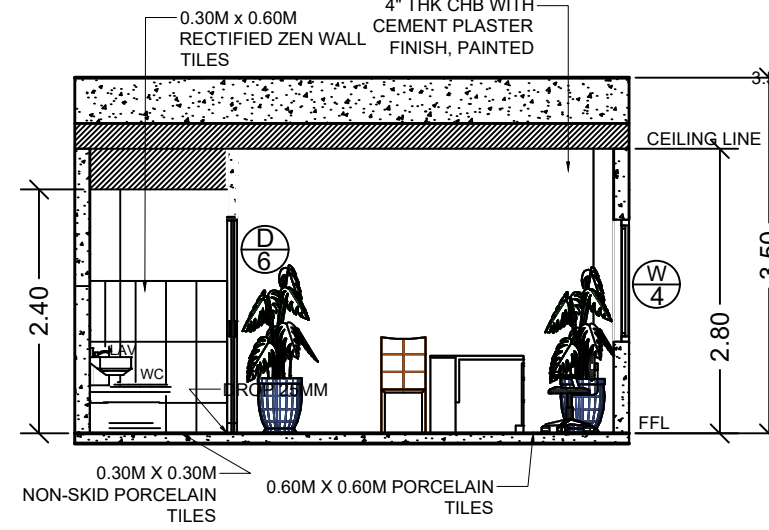
WINDOWS	
W-1	SLIDING GLASS DOOR W/ 6mm THK CLEAR GLASS ON ALUM. ANALOC TUBULAR
W-2	6mm THK ALUMINUM CLEAR GLASS FIXED WINDOW PARTITION
W-3	6 mm thk. GLASS JALOUSIE WINDOW W/ SCREEN AND FIXED CLEAR GLASS ON ANALOC ALUMINUM FRAME AT THE BOTTOM
W-4	ALUM. FRAME DOUBLE SLIDING GLASS PANEL WINDOW
W-5	ALUM. FRAME TRIPLE SLIDING GLASS PANEL WINDOW
W-6	ALUM. FRAME AWNING CLEAR GLASS WINDOW



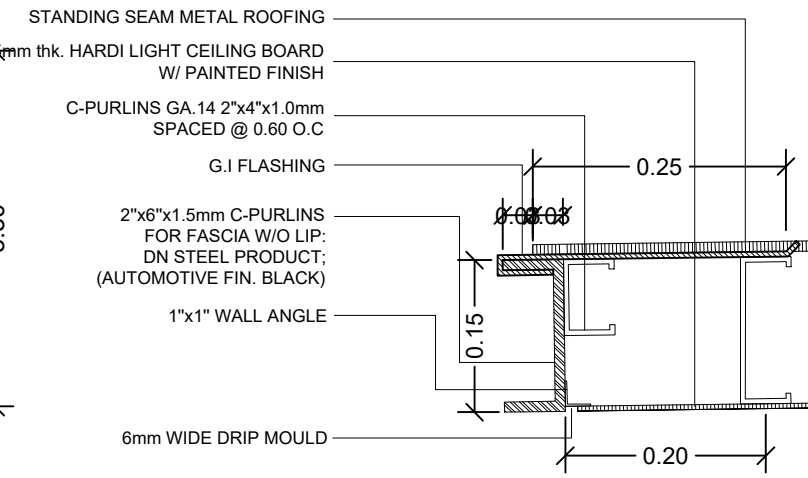
PLAN



SECTION-X

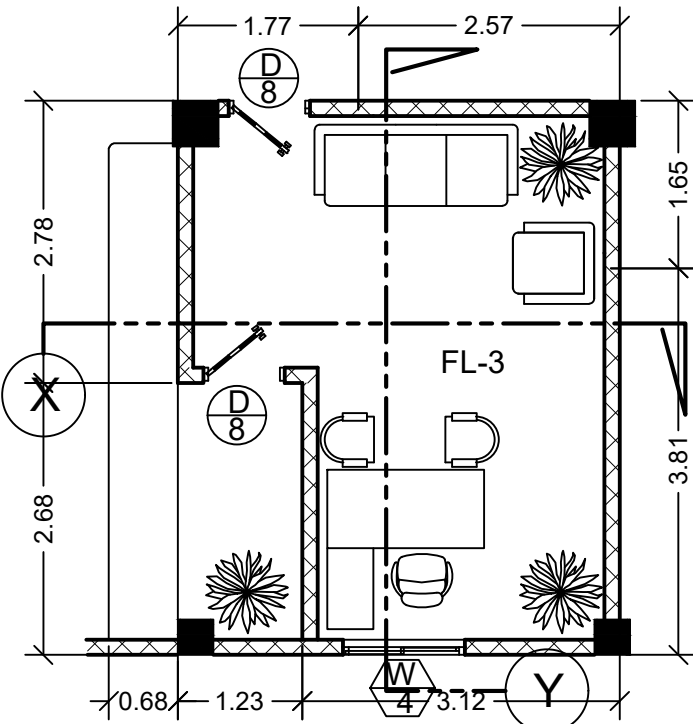


SECTION-Y

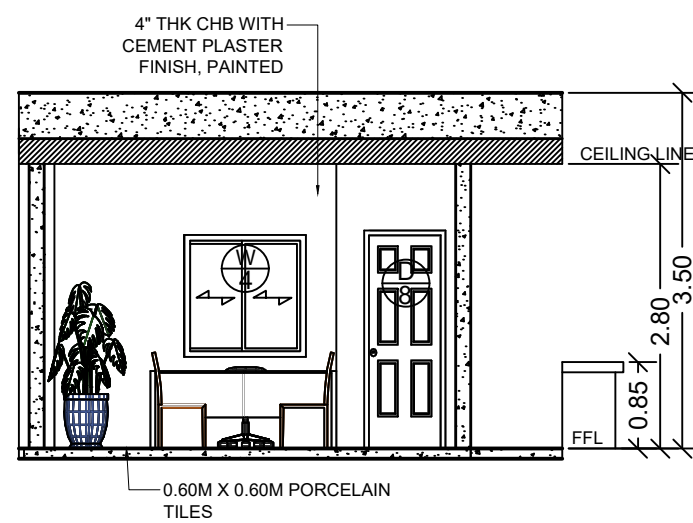


3 FASCIA BLOW UP DETAIL
SCALE N.D.T.S.

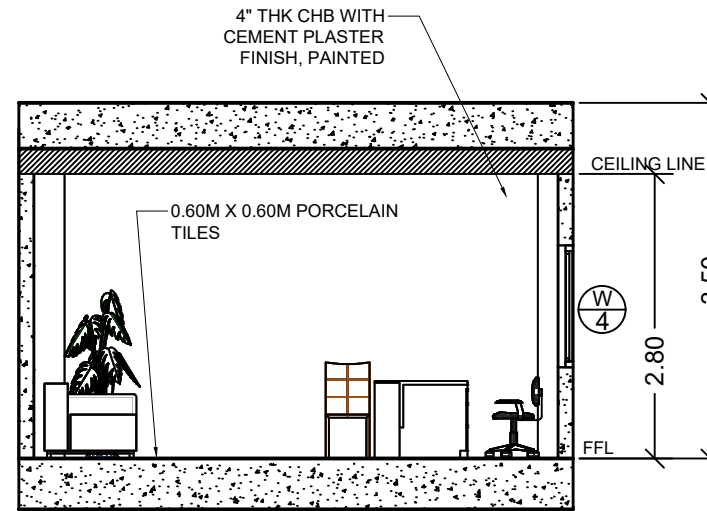
1 MANAGERS FLOOR PLAN @ UPPER GROUND
SCALE 1:50 M.



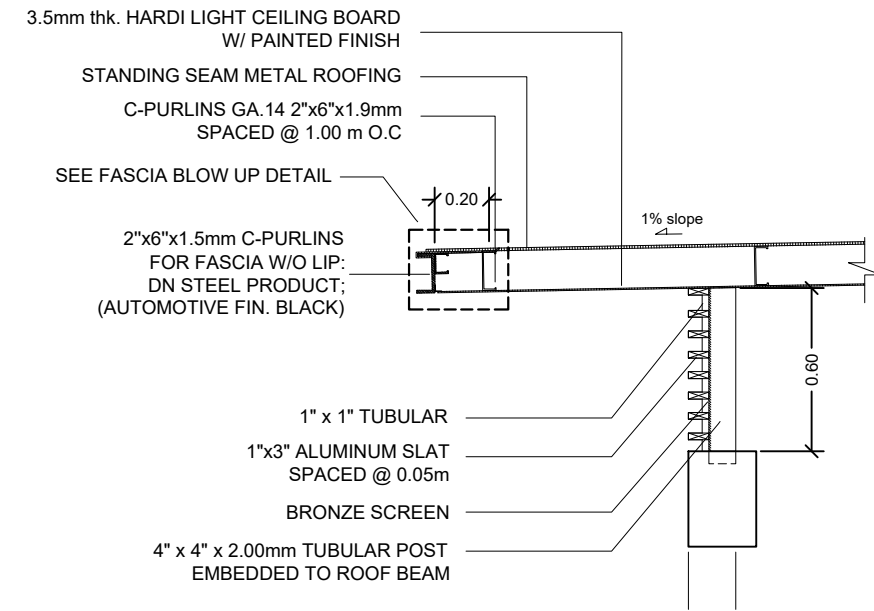
PLAN



SECTION-X

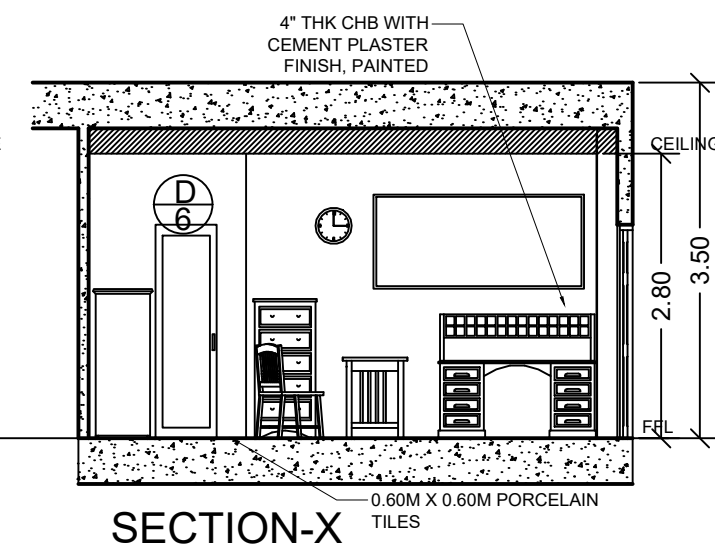
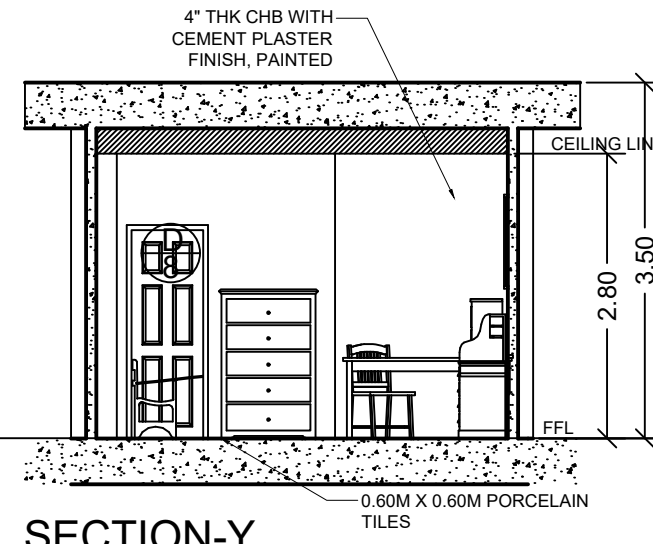
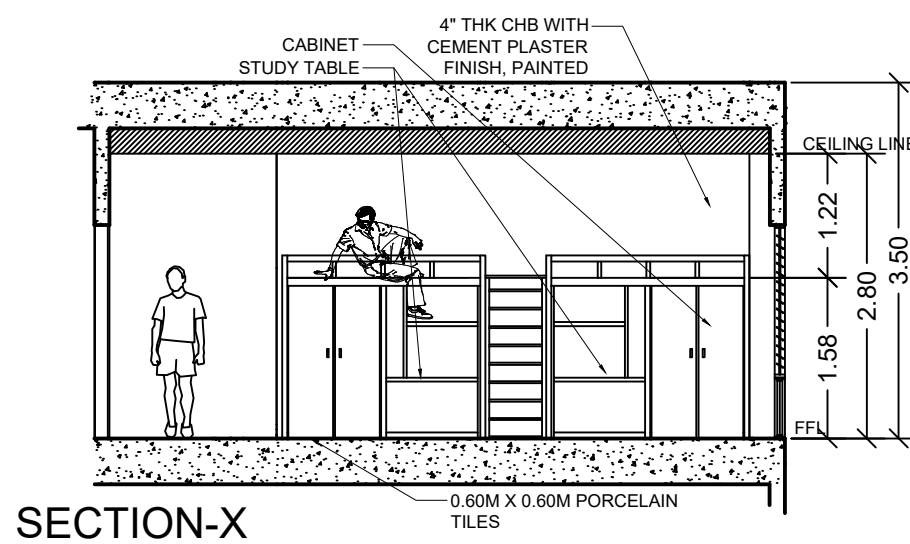
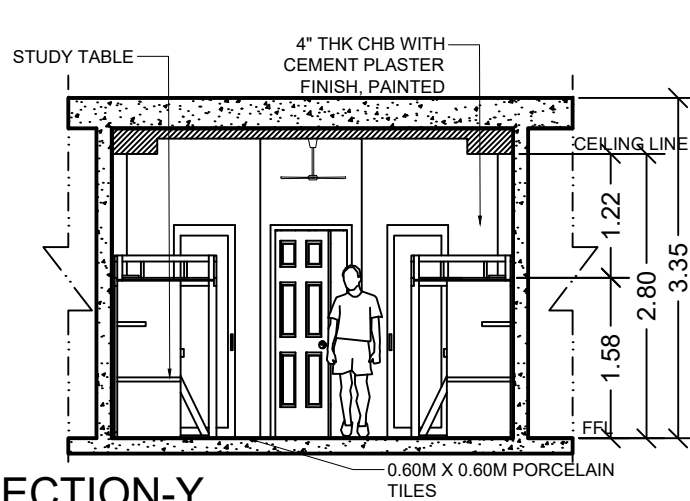
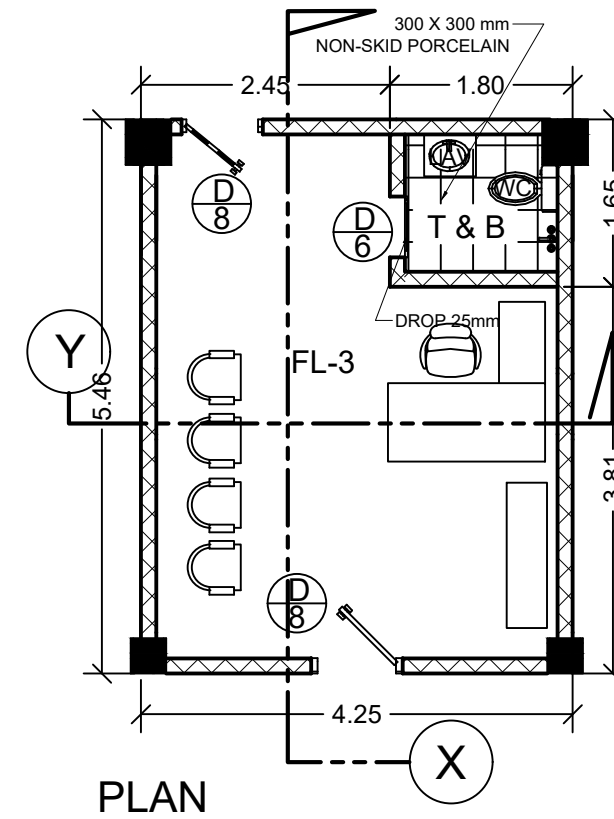
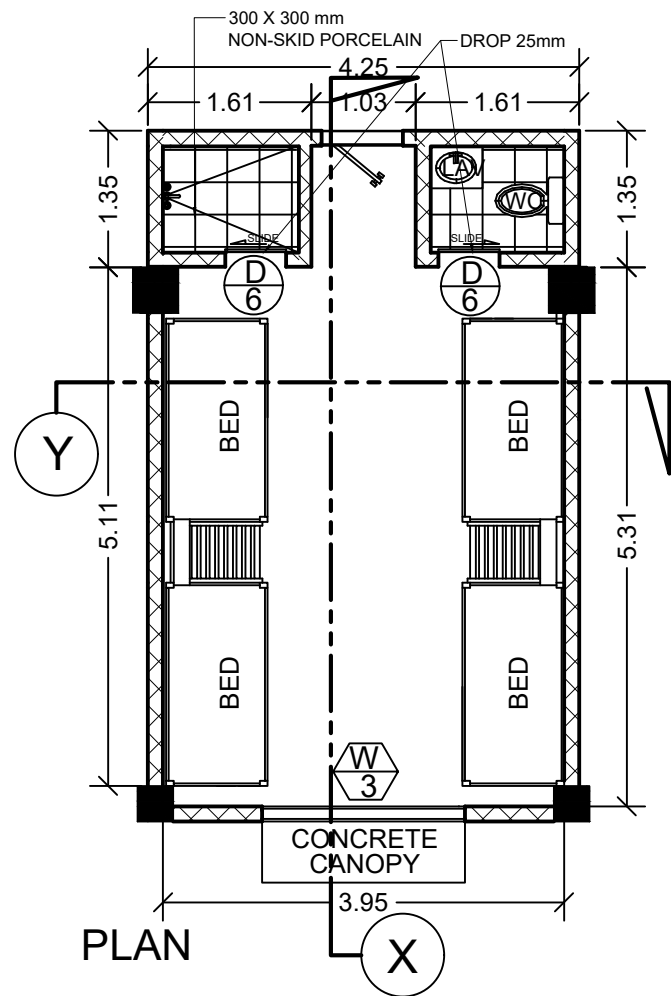


SECTION-Y



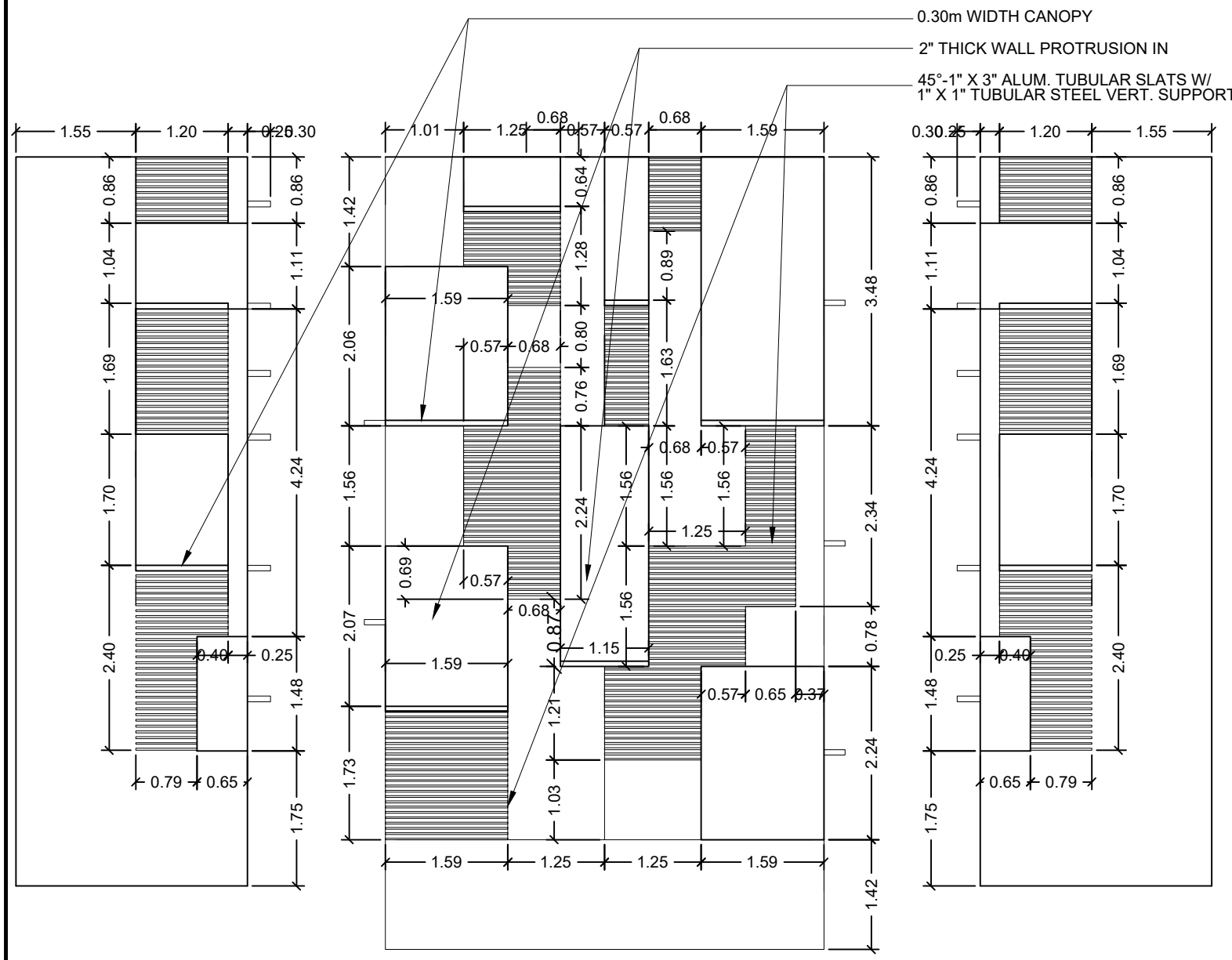
4 ROOF EAVES DETAILS
SCALE N.D.T.S.

2 MANAGERS FLOOR PLAN @ LOWER GROUND
SCALE 1:50 M.



1 DORMER'S ROOM PLAN
AR-13 SCALE 1:50 M.

2 ISOLATION ROOM PLAN
AR-13 SCALE 1:50 M.

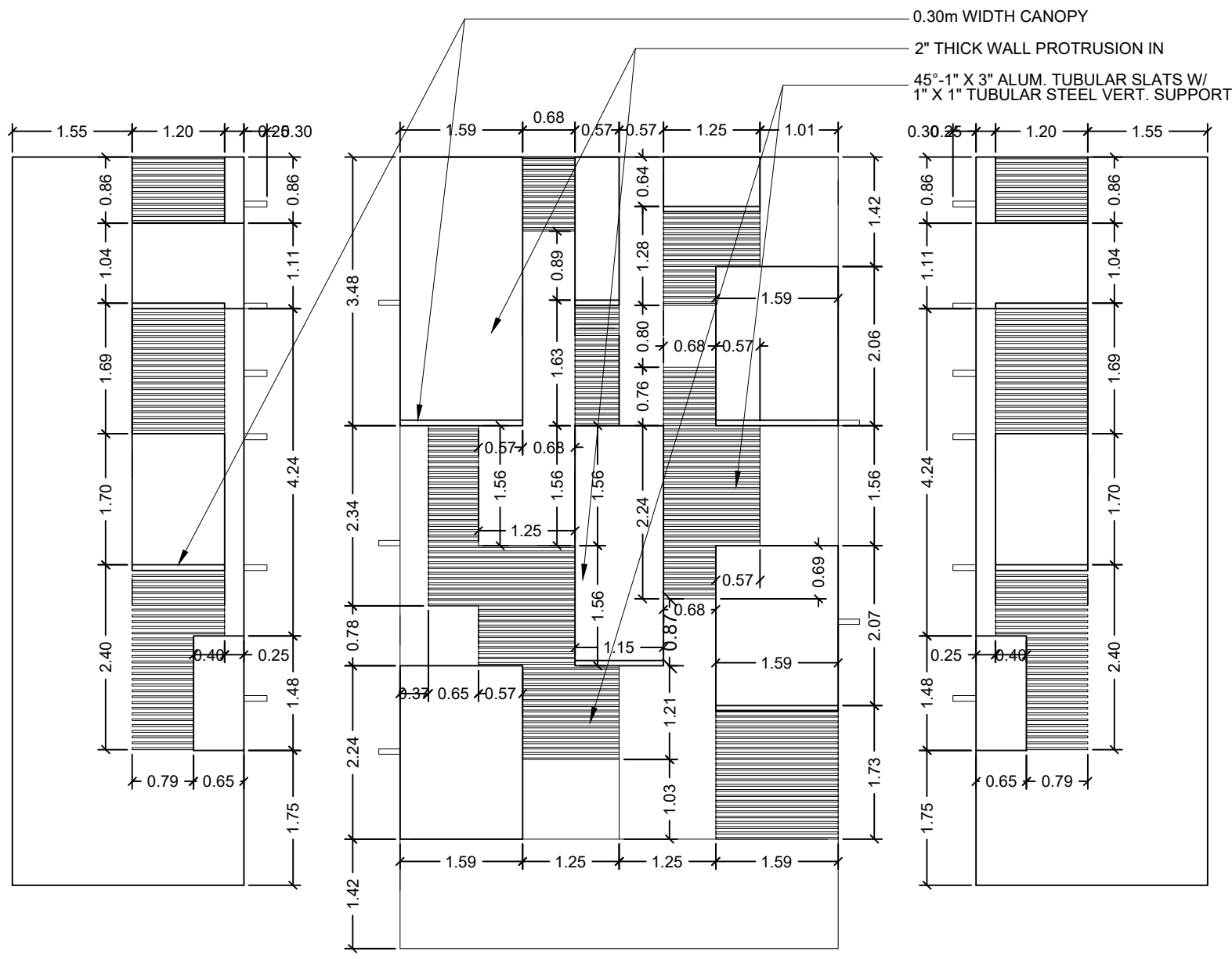


LEFT SIDE

FRONT

RIGHT SIDE

1 STAIR CASE EXTERIOR WALL(MAIN)
 AR-14 SCALE NDT'S



LEFT SIDE

FRONT

RIGHT SIDE

2 STAIR CASE EXTERIOR WALL(FIRE EXIT)
 AR-14 SCALE NDT'S