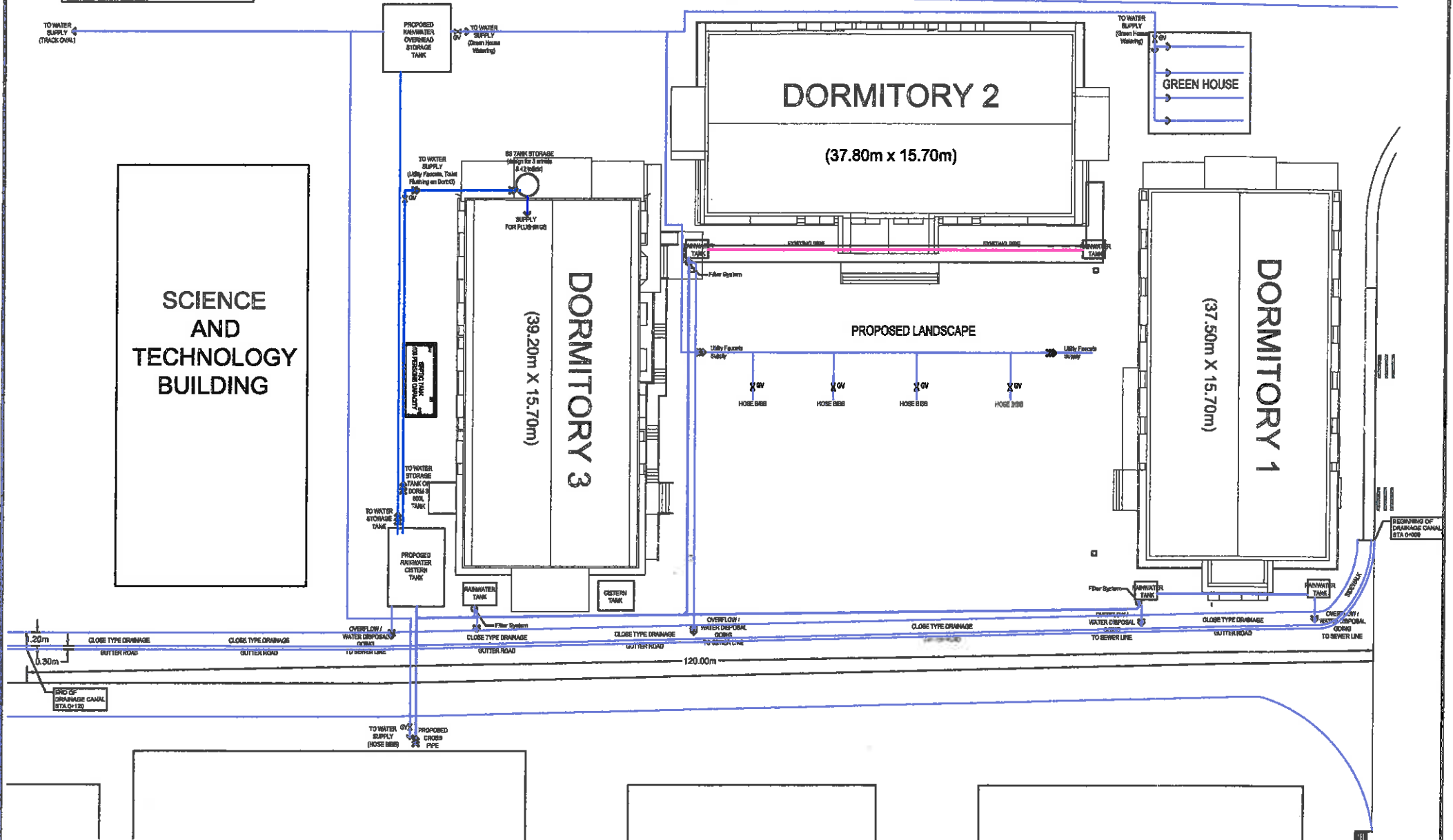
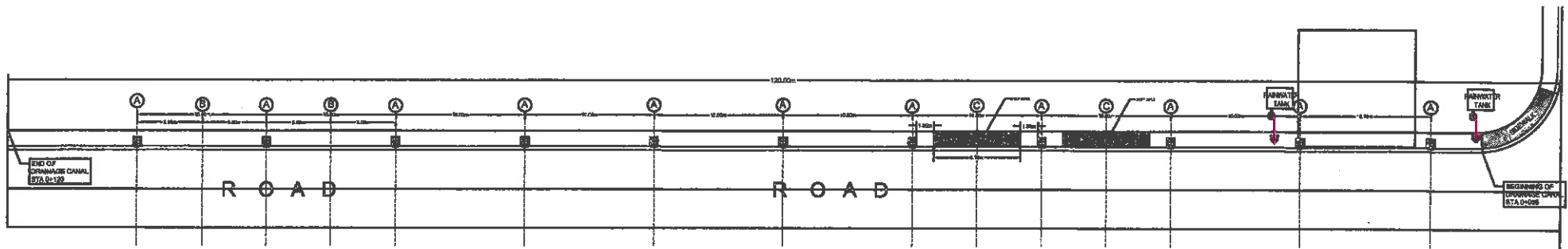


ANNEX "A"

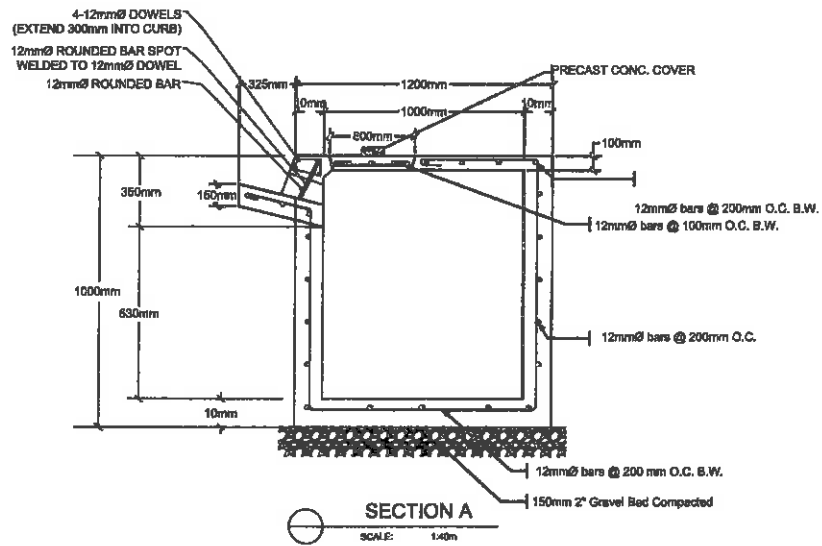


	REPUBLIC OF THE PHILIPPINES DEPARTMENT OF SCIENCE AND TECHNOLOGY PHILIPPINE SCIENCE HIGH SCHOOL ZAMBOANGA PENINSULA REGION CAMPUS BRGY. COGON, DIPOLIG CITY, ZAMBOANGA DEL NORTE	PROJECT TITLE: RAINWATER PLAN LAYOUT	PREPARED BY: ENGR. ANTONIO P. ESCABARTE JR./ENGR. DEBBIE P. MUCHILLAS/ENGR. SHARON T. PARAGUYA	RECOMMENDING APPROVAL: MILO S. SALDON FAK-CHIEF	APPROVED: LOUI V. JAMORA PAE, MSc CAMPUS DIRECTOR	SHEET NO.: 1 4
	RE-PSHS			RECOMMENDING APPROVAL:		SHEET NO.:

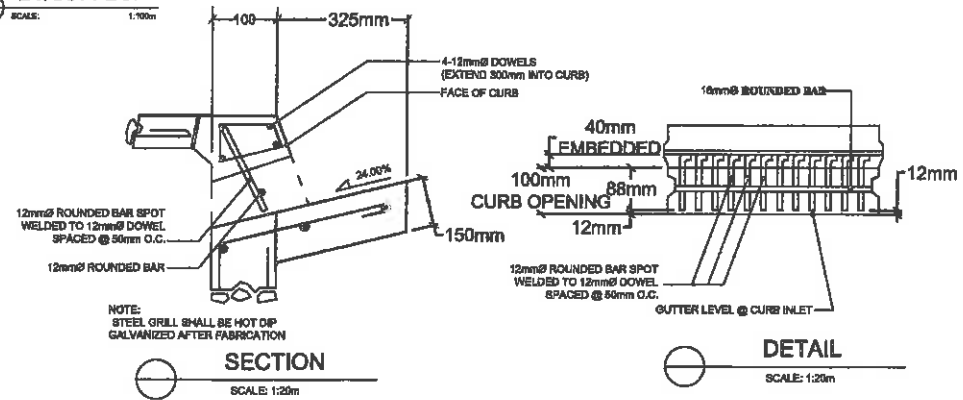
ANNEX "B"



LAYOUT PLAN
SCALE: 1:100m

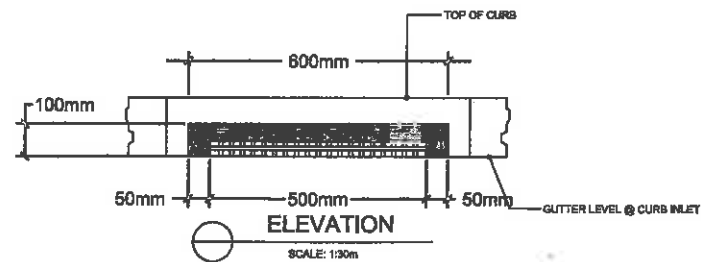


SECTION A
SCALE: 1:40m



SECTION
SCALE: 1:20m

DETAIL
SCALE: 1:20m



ELEVATION
SCALE: 1:30m

CURB INLET GRILLE DETAIL



REPUBLIC OF THE PHILIPPINES
DEPARTMENT OF SCIENCE AND TECHNOLOGY
PHILIPPINE SCIENCE HIGH SCHOOL
ZAMBOANGA PENINSULA REGION CAMPUS
BRGY. COGON, DIPOLOLO CITY, ZAMBOANGA DEL NORTE

PROJECT TITLE:
DRAINAGE CANAL
DETAILS

PREPARED BY:
ENGR. ANTONIO P. ESCABARTE JR./ENGR. DEBBIE P. MUCHILLAS/ENGR. SHARON T. PARACUYA

RECOMMENDING APPROVAL:
MILO S. SALDON
FAD-CHIEF

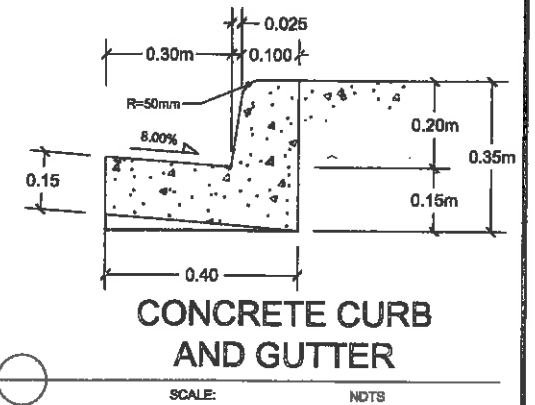
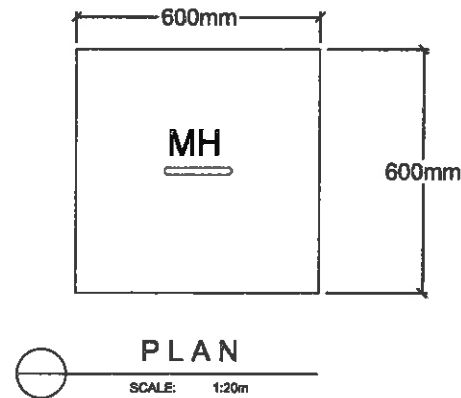
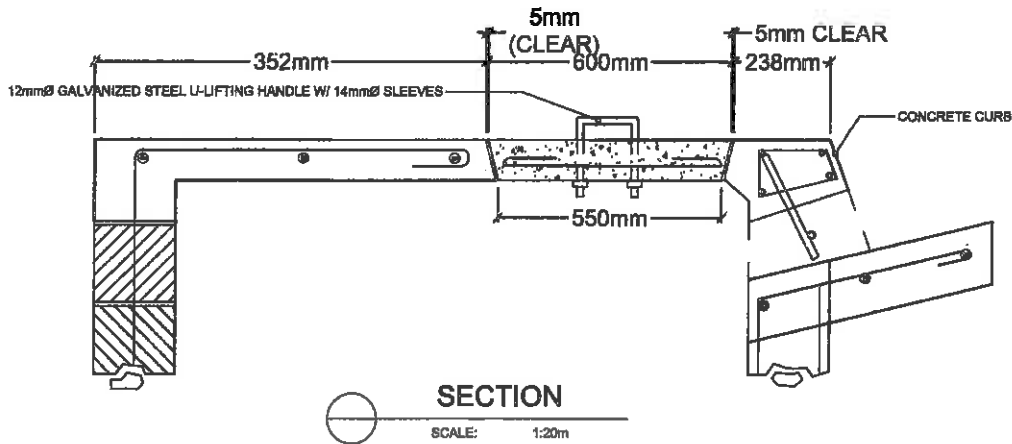
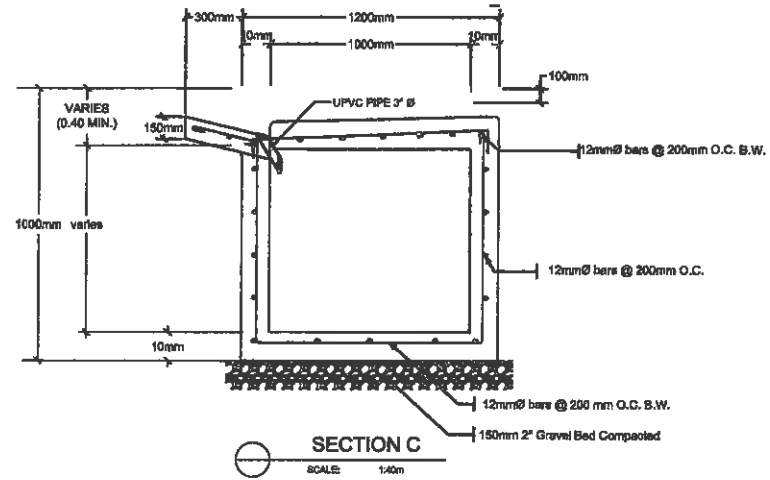
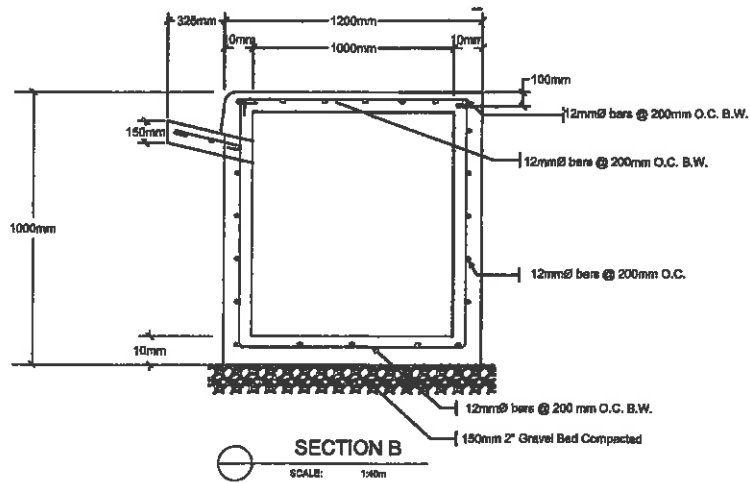
APPROVED:
LOUIE C. JAMORA PAE, MSc
CAMPUS DIRECTOR

SHEET NO.:

2
4

RE-PSHS

ANNEX "B"



REPUBLIC OF THE PHILIPPINES
DEPARTMENT OF SCIENCE AND TECHNOLOGY
PHILIPPINE SCIENCE HIGH SCHOOL
ZAMBOANGA PENINSULA REGION CAMPUS
BRGY. COGON, DIPOLOG CITY, ZAMBOANGA DEL NORTE

PROJECT TITLE:
**DRAINAGE CANAL
DETAILS**

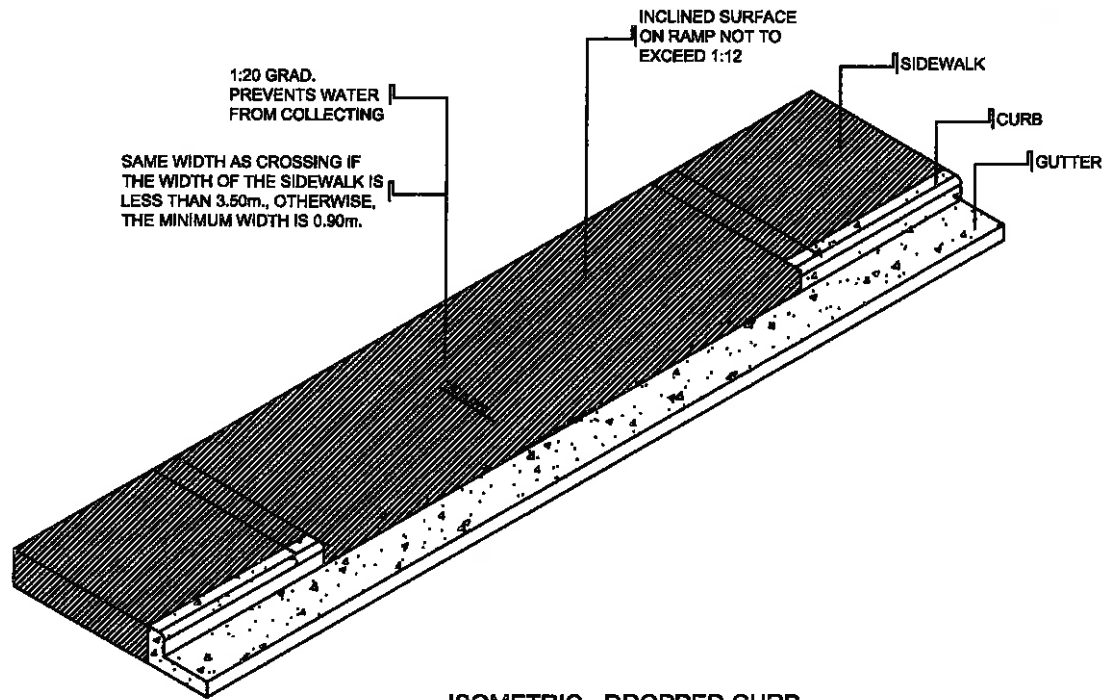
PREPARED BY:
Antonio P. Escabarte Jr.
ENGR. ANTONIO P. ESCABARTE, JR./ENGR. DEBBIE P. MUCHILLAS/ENGR. SHARON T. PARAGUYA
RE-PSHS

RECOMMENDING APPROVAL:
Milo S. Saldon
MILO S. SALDON
FAD-CHIEF

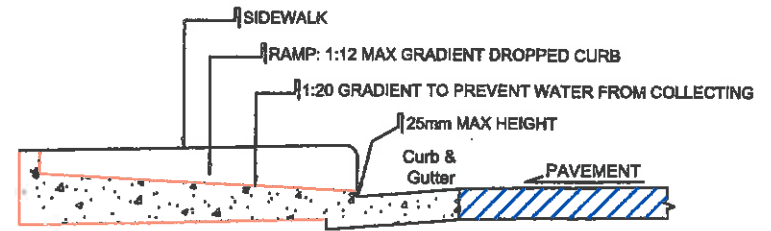
APPROVED:
Louie C. Jamora Pae, MSc
LOUIE C. JAMORA PAE, MSc
CAMPUS DIRECTOR

SHEET NO.:
3
4

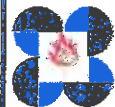
ANNEX "B"



ISOMETRIC - DROPPED CURB



CROSS-SECTION - DROPPED CURB



REPUBLIC OF THE PHILIPPINES
 DEPARTMENT OF SCIENCE AND TECHNOLOGY
 PHILIPPINE SCIENCE HIGH SCHOOL
 ZAMBOANGA PENINSULA REGION CAMPUS
 BRGY. COGON, DIPOLOG CITY, ZAMBOANGA DEL NORTE

PROJECT TITLE:
**DRAINAGE CANAL
 DETAILS**

PREPARED BY:

 ENGR. ANTONIO P. ESCABARTE, JR./ENGR. DEBBIE P. MUCHILLAS/ENGR. SHARON T. PARAGUYA

RE-PSHS

RECOMMENDING APPROVAL:

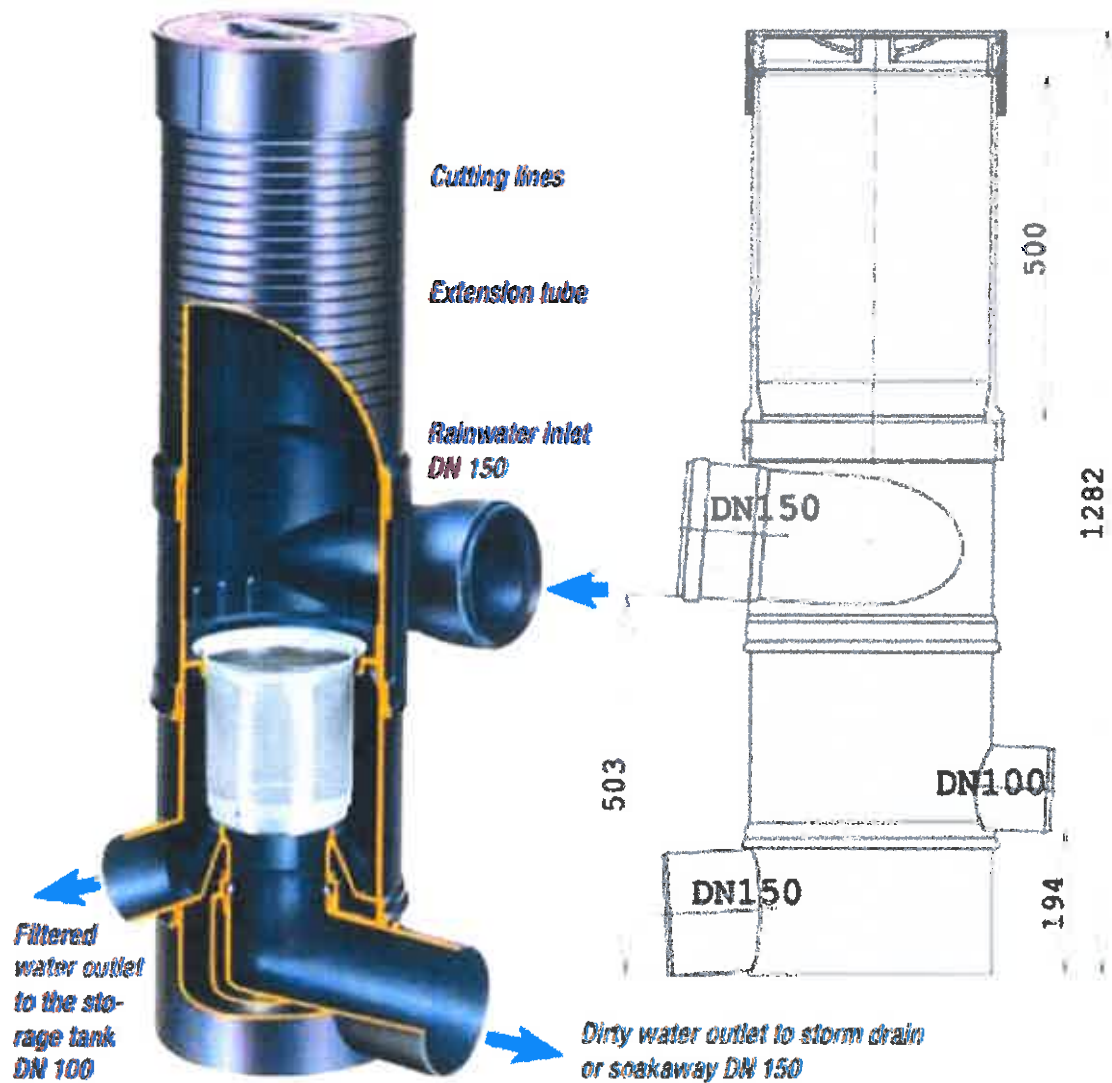
 MILO S. SALDON
 FAO-CHIEF

APPROVED:

 LOUIE C. JAMORA-PAE, MSc
 CAMPUS DIRECTOR

SHEET NO.:
 4
 4

ANNEX "C"



REPUBLIC OF THE PHILIPPINES
 DEPARTMENT OF SCIENCE AND TECHNOLOGY
 PHILIPPINE SCIENCE HIGH SCHOOL
 ZAMBOANGA PENINSULA REGION CAMPUS
 BRGY. COGON, DIPOLOG CITY, ZAMBOANGA DEL NORTE

PROJECT TITLE:
FILTRATION SYSTEM

PREPARED BY:

ENGR. ANTONIO P. ESCABARTE JR.

ENGR. DEBBIE P. MUCHILLAS

ENGR. SHARON T. PARAGUYA
 RE-PSHS

RECOMMENDING APPROVAL:

MILO S. SALDON
 FAD-CHIEF

APPROVED:

LOUIE C. JAMORA PAE, MSc
 CAMPUS DIRECTOR

SHEET NO.:

 4 / 4